

Spreader beam range

Bulkier or heavier loads must be carried on multiple points to ensure safe weight distribution and less sagging. The extensive TIGRIP® range provides a vast choice of load capacities, working widths, adjustment ranges and hook types to cater for the great majority of applications. In addition to our quality-engineered, robust and cost-effective standard range, we can also provide special designs to meet individual, bespoke customer requirements.

Options include side welding hooks (so-called cow horns), that take rope loops or lifting bands' crane eye for carrying pipes. Rolls or rollers on two or more points; star crossbars for carrying cylindrical items, or transverse crossbars for four point suspension, a further version of the reliable, easy to use and safe TIGRIP® crane hook spreader beams.

Spreader beams can be used for a diverse range of shapes and designs, and can be individually designed to meet specific applications. The following illustrations provide a short overview of the many designs available. Suspension and load carrying variants can be easily combined with most designs.



Suspension variants

Eyelet suspension

Standard suspension for use with single hooks according to DIN 15401

Possible for defined load centre of gravity for symmetrical but also asymmetrical loads.



Chain suspension

To stabilise swinging movements

Multitude of options in combination with our chain programme. Lifting ring for single hooks but also double hooks Shortening hooks allow the centre of gravity to be adjusted for asymmetrical loads.



Internal bolt suspension

To reduce the build height

Fixed welded-on but also plug-in variants possible.



Double eyelet suspension for two crane operation

Allows the spreader beam to be used on two cranes at the same time

Each suspension variant can be operated as a double suspension.



Bracket suspension

For use with double hooks according to DIN 15402

Load carrying variants

Eyehooks

with forged safety latch

For use with any sling or sling points.



Swivel hooks

Allows alignment of the hook to the sling point

Variants possible with plain-bearing mounted swivel (cannot be rotated under load) and also ball-bearing mounted swivel (can be rotated under load).



Front welded-on hook

(cow horn with safety latch)

To reduce the height on single spreader beam



Welded-on hooks

(cow horns with safety latch)

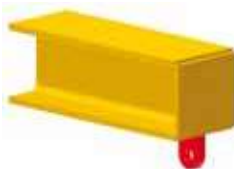
For use with two single-stranded or singly wrapped sling
Also possible with adjusting bracket.



Mounting eyelets

for fixed slings

With the mounting eyelets, the spreader beam can be combined with any slings from our program.



Centre hooks

For crane use if the crossbar is not required

With the centre hook there is no need to place and remove the spreader beam.

Variants possible as eyehooks or swivel hooks.





Spreader beam, non-adjustable model TTS-E

Capacity 1000 - 10000 kg

For the transport of symmetrical loads.

Features

- Lifting brackets for single hook according to DIN 15401
- Eyehooks with forged safety latch

Options

- Other capacities
- Working widths according customer requirements
- Accentral suspension for asymmetrical loads

Technical data model TTS-E

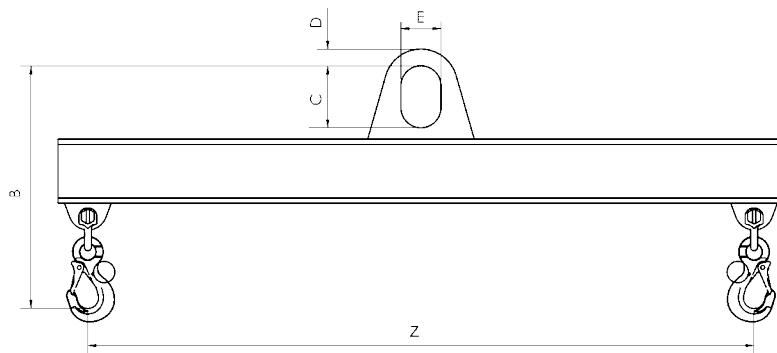
Model	EAN-No. 4025092*	Capacity kg	Working width Z mm	Hook mouth mm	Weight kg
TTS 1,0/1000 E	*552905	1000	1000	23	23
TTS 2,0/1000 E	*554534	2000	1000	23	25
TTS 3,0/1000 E	*552813	3000	1000	30	28
TTS 5,0/1000 E	*554541	5000	1000	38	41
TTS 7,5/1000 E	*554558	7500	1000	42	50
TTS 10,0/1000 E	*554565	10000	1000	42	61
TTS 1,0/1500 E	*552851	1000	1500	23	31
TTS 2,0/1500 E	*554572	2000	1500	23	33
TTS 3,0/1500 E	*552028	3000	1500	30	41
TTS 5,0/1500 E	*552172	5000	1500	38	64
TTS 7,5/1500 E	*554589	7500	1500	42	74
TTS 10,0/1500 E	*554596	10000	1500	42	90
TTS 1,0/2500 E	*554602	1000	2500	23	46
TTS 2,0/2500 E	*552769	2000	2500	23	69
TTS 3,0/2500 E	*552202	3000	2500	30	88
TTS 5,0/2500 E	*552493	5000	2500	38	106
TTS 7,5/2500 E	*554619	7500	2500	42	148
TTS 10,0/2500 E	*554626	10000	2500	42	181
TTS 1,0/3500 E	*554633	1000	3500	23	77
TTS 2,0/3500 E	*554640	2000	3500	23	118
TTS 3,0/3500 E	*552592	3000	3500	30	138
TTS 5,0/3500 E	*554657	5000	3500	38	167
TTS 7,5/3500 E	*554664	7500	3500	42	235
TTS 10,0/3500 E	*554671	10000	3500	42	272
TTS 1,0/5000 E	*554688	1000	5000	23	163
TTS 2,0/5000 E	*552523	2000	5000	23	189
TTS 3,0/5000 E	*554695	3000	5000	30	223
TTS 5,0/5000 E	*554701	5000	5000	38	295
TTS 7,5/5000 E	*554718	7500	5000	42	372
TTS 10,0/5000 E	*554725	10000	5000	42	478

Dimensions model TTS-E

Model	TTS 1,0/1000 E	TTS 2,0/1000 E	TTS 3,0/1000 E	TTS 5,0/1000 E	TTS 7,5/1000 E	TTS 10,0/1000 E	TTS 1,0/1500 E	TTS 2,0/1500 E	TTS 3,0/1500 E	TTS 5,0/1500 E
B, mm	405	430	500	615	720	800	405	430	520	635
C, mm	110	135	160	180	200	260	110	135	160	180
D, mm	25	30	35	40	60	70	25	30	35	40
E, mm	60	75	90	100	130	130	60	75	90	100

Model	TTS 7,5/1500 E	TTS 10,0/1500 E	TTS 1,0/2500 E	TTS 2,0/2500 E	TTS 3,0/2500 E	TTS 5,0/2500 E	TTS 7,5/2500 E	TTS 10,0/2500 E	TTS 1,0/3500 E	TTS 2,0/3500 E
B, mm	740	820	405	470	560	655	780	860	435	490
C, mm	200	260	110	135	160	180	200	260	110	135
D, mm	60	70	25	30	35	40	60	70	25	30
E, mm	130	130	60	75	90	100	130	130	60	75

Model	TTS 3,0/3500 E	TTS 5,0/3500 E	TTS 7,5/3500 E	TTS 10,0/3500 E	TTS 1,0/5000 E	TTS 2,0/5000 E	TTS 3,0/5000 E	TTS 5,0/5000 E	TTS 7,5/5000 E	TTS 10,0/5000 E
B, mm	580	695	800	880	475	510	600	715	820	920
C, mm	160	180	200	260	110	135	160	180	200	260
D, mm	35	40	60	70	25	30	35	40	60	70
E, mm	90	100	130	130	60	75	90	100	130	130



INFO

The spreader beams can be combined with the different suspension types (see pages 198-199).



Spreader beam, adjustable model TTS

Capacity 1000 - 25000 kg

For the transport of symmetrical and asymmetrical loads.

Features

- Lifting brackets for single hook according to DIN 15401
- Adjustment with grids
- Adjustable bracket with handle and swivel hook (cannot be rotated under load)

Technical data model TTS

Model	EAN-No. 4025092*	Capacity kg	Working width Z mm	Hook mouth mm	Weight kg
TTS 1,0/1500	*552646	1000	700 - 1500	18	40
TTS 2,0/1500	*552295	2000	700 - 1500	18	41
TTS 3,0/1500	*553988	3000	700 - 1500	21	53
TTS 5,0/1500	*551281	5000	700 - 1500	23	79
TTS 7,5/1500	*553995	7500	700 - 1500	32	98
TTS 10,0/1500	*552219	10000	700 - 1500	32	117
TTS 12,5/1500	*554008	12500	700 - 1500	40	116
TTS 15,0/1500	*554015	15000	700 - 1500	40	137
TTS 20,0/1500	*554022	20000	700 - 1500	50	180
TTS 25,0/1500	*554039	25000	700 - 1500	50	226
TTS 1,0/2500	*554046	1000	1500 - 2500	18	58
TTS 2,0/2500	*552158	2000	1500 - 2500	18	84
TTS 3,0/2500	*552448	3000	1500 - 2500	21	105
TTS 5,0/2500	*552424	5000	1500 - 2500	23	127
TTS 7,5/2500	*554053	7500	1500 - 2500	32	178
TTS 10,0/2500	*554060	10000	1500 - 2500	32	215
TTS 12,5/2500	*554077	12500	1500 - 2500	40	198
TTS 15,0/2500	*554084	15000	1500 - 2500	40	237
TTS 20,0/2500	*554091	20000	1500 - 2500	50	287
TTS 25,0/2500	*554107	25000	1500 - 2500	50	342
TTS 1,0/3500	*552684	1000	1700 - 3500	18	95
TTS 2,0/3500	*554114	2000	1700 - 3500	18	137
TTS 3,0/3500	*554121	3000	1700 - 3500	21	162
TTS 5,0/3500	*554138	5000	1700 - 3500	23	228
TTS 7,5/3500	*554145	7500	1700 - 3500	32	278
TTS 10,0/3500	*554152	10000	1700 - 3500	32	317
TTS 12,5/3500	*554169	12500	1700 - 3500	40	295
TTS 15,0/3500	*551403	15000	1700 - 3500	40	340
TTS 20,0/3500	*554176	20000	1700 - 3500	50	451
TTS 25,0/3500	*554183	25000	1700 - 3500	50	512
TTS 1,0/5000	*554367	1000	2000 - 5000	18	190
TTS 2,0/5000	*554374	2000	2000 - 5000	18	219
TTS 3,0/5000	*554381	3000	2000 - 5000	21	260
TTS 5,0/5000	*554398	5000	2000 - 5000	23	372
TTS 7,5/5000	*554404	7500	2000 - 5000	32	423
TTS 10,0/5000	*554411	10000	2000 - 5000	32	531
TTS 12,5/5000	*554428	12500	2000 - 5000	40	449
TTS 15,0/5000	*554435	15000	2000 - 5000	40	568
TTS 20,0/5000	*554442	20000	2000 - 5000	50	691
TTS 1,0/8000	*554459	1000	3000 - 8000	18	342
TTS 2,0/8000	*554466	2000	3000 - 8000	18	458
TTS 3,0/8000	*554473	3000	3000 - 8000	21	547
TTS 5,0/8000	*554480	5000	3000 - 8000	23	788
TTS 7,5/8000	*554497	7500	3000 - 8000	32	883
TTS 10,0/8000	*554503	10000	3000 - 8000	32	1319
TTS 12,5/8000	*554510	12500	3000 - 8000	40	979
TTS 15,0/8000	*554527	15000	3000 - 8000	40	1046

Dimensions model TTS

Model	TTS 1,0/1500	TTS 2,0/1500	TTS 3,0/1500	TTS 5,0/1500	TTS 7,5/1500	TTS 10,0/1500	TTS 12,5/1500	TTS 15,0/1500	TTS 20,0/1500	TTS 25,0/1500
B, mm	440	470	570	655	740	835	865	910	1020	1230
C, mm	110	135	160	180	200	260	260	260	260	300
D, mm	25	30	35	40	60	70	75	85	90	100
E, mm	60	75	90	100	130	130	140	140	160	160

Model	TTS 1,0/2500	TTS 2,0/2500	TTS 3,0/2500	TTS 5,0/2500	TTS 7,5/2500	TTS 10,0/2500	TTS 12,5/2500	TTS 15,0/2500	TTS 20,0/2500	TTS 25,0/2500
B, mm	440	505	610	675	785	880	915	955	1060	1255
C, mm	110	135	160	180	200	260	260	260	260	300
D, mm	25	30	35	40	60	70	75	85	90	100
E, mm	60	75	90	100	130	130	140	140	160	160

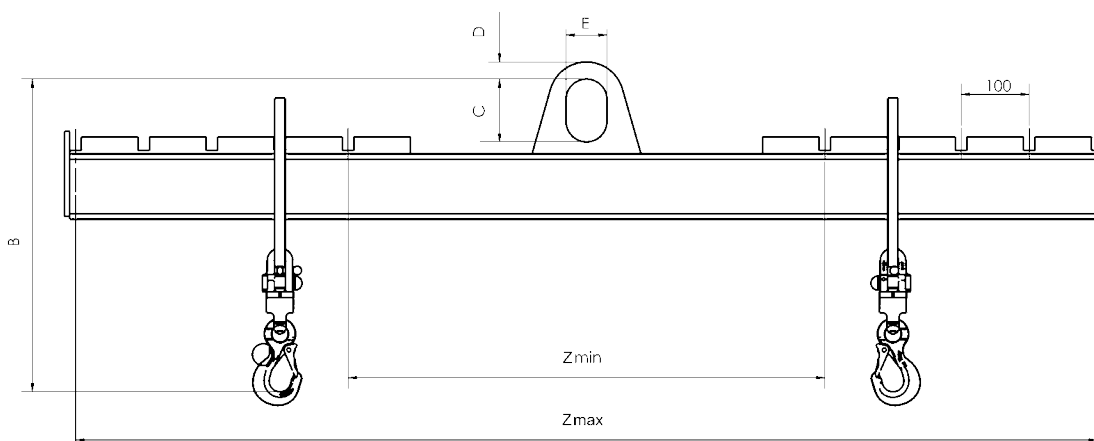
Model	TTS 1,0/3500	TTS 2,0/3500	TTS 3,0/3500	TTS 5,0/3500	TTS 7,5/3500	TTS 10,0/3500	TTS 12,5/3500	TTS 15,0/3500	TTS 20,0/3500	TTS 25,0/3500
B, mm	440	530	635	715	810	905	935	980	1115	1300
C, mm	110	135	160	180	200	260	260	260	260	300
D, mm	25	30	35	40	60	70	75	85	90	100
E, mm	60	75	90	100	130	130	140	140	160	160

Model	TTS 1,0/5000	TTS 2,0/5000	TTS 3,0/5000	TTS 5,0/5000	TTS 7,5/5000	TTS 10,0/5000	TTS 12,5/5000	TTS 15,0/5000	TTS 20,0/5000
B, mm	495	550	655	740	830	950	980	1025	1155
C, mm	110	135	160	180	200	260	260	260	260
D, mm	25	30	35	40	60	70	75	85	90
E, mm	60	75	90	100	130	130	140	140	160

Model	TTS 1,0/8000	TTS 2,0/8000	TTS 3,0/8000	TTS 5,0/8000	TTS 7,5/8000	TTS 10,0/8000	TTS 12,5/8000	TTS 15,0/8000
B, mm	515	590	700	785	895	1010	1045	1085
C, mm	110	135	160	180	200	260	260	260
D, mm	25	30	35	40	60	70	75	85
E, mm	60	75	90	100	130	130	140	140

INFO

The spreader beams can be combined with the different suspension types (see pages 198-199).





H-frame spreader beam model TTS-HE

Capacity up to 10000 kg
For the transport of symmetrical loads.

Features

- Lifting brackets for single hook according to DIN 15401
- Eyehooks with forged safety latch

Option

- Accentral suspension for asymmetrical loads

INFO

Capacity, working length and width designed on individual customer requirements.

The spreader beams can be combined with the different suspension types (see pages 198-199).

Technical questionnaire

Capacity _____ kg

Working length _____ mm

Working width _____ mm



H-frame spreader beam model TTS-H

Capacity up to 25000 kg
For the transport of symmetrical and asymmetrical loads.

Features

- Lifting brackets for single hook according to DIN 15401
- Adjustment with grids
- Adjustable bracket with handle and swivel hook (cannot be rotated under load)

INFO

Capacity, working length and width designed on individual customer requirements.

The spreader beams can be combined with the different suspension types (see pages 198-199).

Technical questionnaire

Capacity _____ kg

Working length, min. _____ mm

Working length, max. _____ mm

Working width, min. _____ mm

Working width, max. _____ mm

Spreader beam for box pallets model TTS

Capacity 1000 - 3000 kg

Box pallets with DIN 15155 specifications, are usually moved around with a forklift, but are so sturdy that they can be picked up and transported with a spreader beam grab and an overhead crane hooked up to the top of the box pallet's frame.

Thanks to these spreader beams, the shipping and receiving area is no longer entirely dependent on floor-level material handling equipment such as forklifts.

The version designed for the individual transport of box pallets is equipped with two fixed yokes and two pivoted ones, interconnected with a control bar. The load tackling gear is fixed and unfixed by only one person.

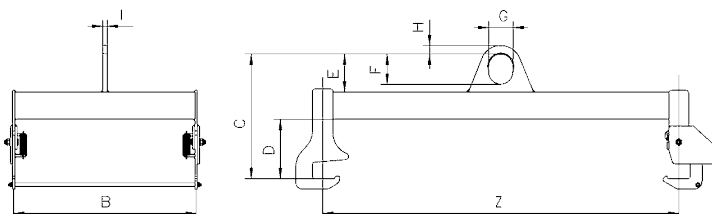


Technical data model TTS

Model	EAN-No. 4025092*	Capacity kg	Weight kg
TTS 1,0/1240 - 810	*551595	1000	38
TTS 2,0/1240 - 810	*551236	2000	61
TTS 3,0/1240 - 810	*553742	3000	80

Dimensions model TTS

Model	TTS 1,0/1240 - 810	TTS 2,0/1240 - 810	TTS 3,0/1240 - 810
B, mm	600	600	600
C, mm	410	495	520
D, mm	195	215	215
E, mm	125	180	205
F, mm	100	150	170
G, mm	80	100	130
H, mm	28	30	40
I, mm	15	20	25
Z, mm	1175	1175	1175





Spreader beam for Big-Bags model TTB

Capacity 1000 - 2000 kg

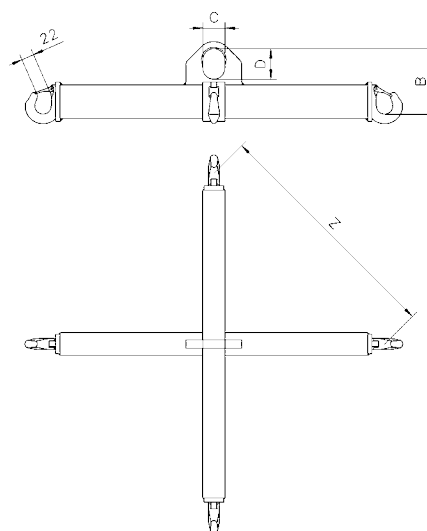
This four-point spreader beam in a fixed frame construction with weld-on hooks and safety latch is designed for lifting and transporting of Big-Bags.

Technical data model TTB

Model	EAN-No. 4025092*	Capacity kg	Working width Z mm	Weight kg
TTB 1,0/1090 - 1090	*556293	1000	750 - 800	27
TTB 1,0/1320 - 1320	*556316	1000	900 - 970	33
TTB 2,0/1090 - 1090	*556330	2000	750 - 800	42
TTB 2,0/1320 - 1320	*556354	2000	900 - 970	44

Dimensions model TTB

Model	TTB 1,0/1090 - 1090	TTB 1,0/1320 - 1320	TTB 2,0/1090 - 1090	TTB 2,0/1320 - 1320
B, mm	210	210	240	240
C, mm	60	60	75	75
D, mm	110	110	135	135



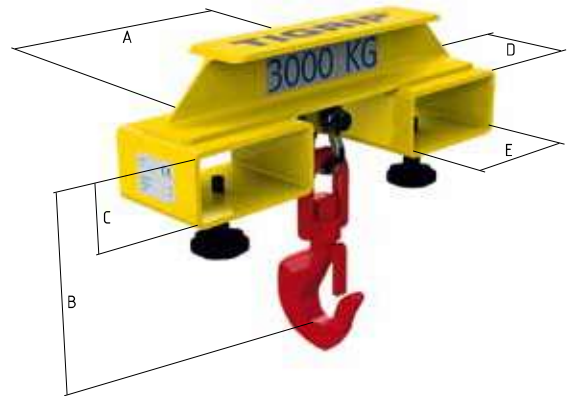
Fork lift cross beam model TTS-Z

Capacity 2000 - 5300 kg

The model TTS-Z with two bags is used for forklift tines and has one centered, pivoting eye hook (do not pivot under load). The fork lift cross beam is fastened with two spindles and ensures safety while lifting.

Option

- The fork lift cross beam is also available with dimensions for individual customer requirements.



Technical data model TTS-Z

Model	Capacity kg	Height B mm	C mm	D mm	E mm	Weight kg
TTS 2,0/Z	2000	246	70	160	150	14.0
TTS 3,15/Z	3150	274	84	160	184	19.0
TTS 5,3/Z	5300	310	84	160	184	20.0

Tine hook model TZH

Capacity 1500 - 10000 kg

For fastening hoisting equipment and loads to single forklift tines. The TZH are pushed onto the forklift tines and are fastened with two spindles. The pivoting as well as swivelling hook with safety latch ensures safety while lifting.



Technical data model TZH

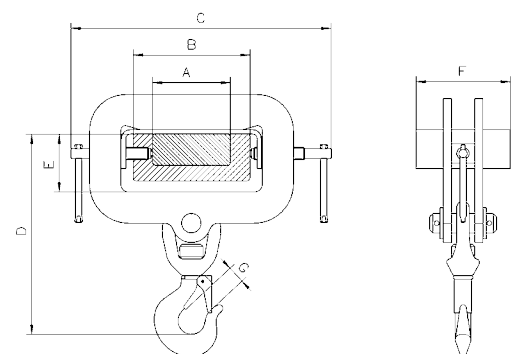
Model	EAN-No. 4025092*	Capacity kg	Weight kg
TZH 1,5/150	*557566	1500	7.2
TZH 3,0/150	*557580	3000	10.8
TZH 5,0/150	*557603	5000	17.3
TZH 5,0/200	*557627	5000	24.7
TZH 10,0/200	*557641	10000	43.0

Dimensions model TZH

Model	TZH 1,5/150	TZH 3,0/150	TZH 5,0/150	TZH 5,0/200	TZH 10,0/200
A, mm	100	100	100	150	150
B, mm	150	150	150	200	200
C min., mm	310	350	350	440	440
C max., mm	360	400	400	490	490
D, mm	260	270	295	320	420
E, mm	74	74	74	94	94
F, mm	120	120	120	180	180
G, mm	25	28	34	34	45

INFO

Attention must be paid to the working load limit of the single forklift tines.



Model TZH, swivel hooks, pivoting and swivelling

Special spreader beams





INFO

Please contact us for further information.