



Holmatro

Industrial Cutting Tools

Holmatro Industrial Cutting Tools

Mastering power

Holmatro products are all about the principle that only controlled power can be deployed effectively. We have expressed this vision in the slogan 'Mastering Power' which applies perfectly to both business units that together form the Holmatro Group.

Industrial Equipment is about applying and mastering high pressure power in heavy industrial applications. And with Rescue Equipment it is a matter of life and death for fire brigades and rescue organizations to work in a controlled, precise and well-thought-out way with the proper equipment.

www.holmatro.com



Powered by Holmatro



Holmatro Industrial Equipment



Holmatro Industry



Holmatro Industry



@ByHolmatro



→ **Introduction**

About Holmatro	6
Applications	8
Features hydraulic cutter	10
Blades industrial cutter	11



→ **Hydraulic cutters**

Mobile cutters	14
Battery cutters	18
Stationary cutters	
Standard	22
Horizontal assembled blades	24
Two hands operation	26
Horizontal assembled blades and two hand operation	28
Mobile pumps	30
Stationary pumps	31
Extremely durable pumps	32
Hoses	
Hoses for mobile cutters	33
Hoses for stationary cutters	34
Accessories	
Service tools	35
Lubricants	37
Battery cutters	38
Transport and suspension systems	40



→ **Hydraulic cable cutters**

Steel cable cutters	
Spring return	42
Power cable cutters	
Spring return	43
Hydraulic return	44
Minicutter	
Spring return	45
Hand pumps	46
Foot pump	48
Compact air pumps	
Single-acting	50
Double-acting	51
Compact electric pump	52
Hydraulic hoses	
Single hoses	53
Standard hoses	54



Extension hoses 55

Pressure gauges

Scale division in bars 56

Scale division in tons 57

Pressure gauge adaptors 58

Pressure gauge sets 58

Accessories hand pumps

Control valves 59

Accessories 59

→ **Hydraulic spreaders**

Hydraulic spreader 62

Pump 63

Hoses 64

Accessories 65

→ **Service & safety**

Service & safety 68



Holmatro's hydraulic equipment and systems are used for rescue, special tactics and industrial applications around the world. Still, for over 50 years after the foundation in 1967, we keep honoring our traditional Dutch roots and represent innovation, quality and support. That is why we design, develop, manufacture, and test our tools in-house. Our experience with high-pressure hydraulics enables us to seek out the boundaries of what is technically possible. This has made our tools lighter, compacter, more durable, and easier to use.

The power of innovation

In order to maintain our leading position as a specialist in high-pressure hydraulics, we continuously invest in research and product development. It is our ambition to continue to develop innovative solutions combining extreme power with controllability, user friendliness and safety. Our product development is fully focused on finding result-oriented solutions for specific markets and applications. To achieve this, we closely work together with you, the professional user.

Dutch quality and reliability

We have state-of-the-art production facilities in the Netherlands and the United States to ensure that the high-grade traditional Dutch quality and robustness is maintained. Work is carried out at both locations in accordance with the ISO 9001 Quality Management Standard and the SCC* Safety Health and Environment (SHE) Checklist Contractors. Our products comply with all international standards such as the European EN 13204, EN 13731 and the American NFPA 1936. Holmatro tools are developed, manufactured and maintained in conformity with the highest quality standards of durability, side load, mechanical distortion and overpressure. As they must be resistant to the most extreme conditions, our products are thoroughly tested before they are authorized for use in practice.



200% certainty

Holmatro's hydraulic tools and systems are manufactured using an advanced production process. They contain highly durable components, superior seals and guides, thereby contributing to a longer life span. After production or repair, a technical or maintenance employee tests all our tools. They subsequently undergo an additional test in the Quality Control department. This gives you 200% certainty.

Service and safety

Essential to all Holmatro products is the control of immense power. You must be able to rely on that for every application under any circumstances. Applicable to all brands of hydraulic equipment is that malfunctions and defects will occasionally occur over time. Regular maintenance and correct usage are of great importance in ensuring that your equipment can continue to be employed optimally and safely during its entire operating lifespan. Holmatro can help you here. We offer an extensive service program, training and various supporting resources to work even more safely with hydraulics.

(Inter)national sales network

Besides the headquarters in the Netherlands, Holmatro has state-of-the-art production facilities and sales offices in the Netherlands and the United States. We have sales offices in China and Poland, and representatives in Germany, Croatia, and India. Together with our global dealer network who are all fully trained at our own training center, we guarantee the same Holmatro standard of quality and a perfect after-sales service for all of our products all over the world.





Industrial Cutting Tools

The publication you have before you is our Industrial Cutting Tools catalogue. It contains a large number of high-pressure hydraulic cutting tools specially designed for cutting various materials. The extensive product range of Industrial Cutting Tools includes hydraulic cutters, cable cutters, pumps, system components and accessories. All tools are user-friendly, reduce physical demands and are safe to operate. Our cutting tools offer you adequate solutions for almost any cutting application, such as cable recycling, vehicles recycling, household appliances recycling and during various demolition activities.

Besides Industrial Cutting Tools, we also offer:

- **Industrial Tools;**

The extensive product range of Industrial Tools contains a large number of high-pressure hydraulic, pneumatic and mechanical tools. Used in various industrial applications, such as shipbuilding, heavy transport, maintenance, petrochemical, offshore, construction & installation, mining and civil engineering.

- **Industrial Solutions;**

Results-oriented customized hydraulic solutions for loads that are difficult to move with standard tools. This includes challenges relating to lifting, pushing, pulling, lowering, weighing, tilting and horizontal movement.

- **Foundry Tools;**

Foundry wedges for the nodular cast iron industry to remove feeders and risers from castings quickly and safely without damaging the casting itself, and with much less physical effort.

- **Vehicle Rescue Tools;**

Tools specially made for extricating victims who are trapped after road traffic accidents, involving personal vehicles, transport vehicles, public transportation or defense vehicles.

- **Emergency Response Rescue Tools;**

Disaster Response Rescue solutions support rescuers to generate the immense forces needed during rescue activities after natural or man-made disasters.

- **Special Tactics;**

Tools designed for Special Tactics operations. These tools are equipped with features such as low visibility, quick and quiet operation and optimal portability.



On our website you will find a selection of our customer projects. Allow us to inspire you with the selection and challenge us to come up with a solution for your specific problem.

www.holmatro.com

Hydraulic cutters

Holmatro's cutters are specially designed for cutting various materials and mainly used in recycling and demolition industries. Our experience provides us the technical expertise needed to offer you adequate solutions for almost any cutting application you can think of.



Cable recycling and production

Cutting cables (ground, telephone, electro and steel) is a skill on its own. Generally, this type of cable consists of countless small wires and strands which, during cutting actions, often inadvertently get in between the cutter blades. Situations like this cause loss of capacity. Moreover, it has proven to be detrimental to the life span of cutting tools. Therefore, Holmatro has developed cutter blades with a special blade guide. This feature keeps the blades straight in relation to each other and prevents them from separating or becoming distorted.

Holmatro's cable cutters are compact and lightweight. The supple guillotine action of the knife makes them practically silent. The cutters can be used in all positions, even under water. For (heavy) cutting work, for example in manufacturing processes, heavier hydraulic cutters are available.



Nuclear recycling and subsea demolition

Nuclear recycling: Over time radioactive contaminated materials and objects from a nuclear environment will be cleared up and removed. To ensure the protection of humans and the environment the processing of this nuclear waste is done under strict safety requirements. This means that radioactive materials and objects are cut as small as possible so they can be stored in the proper packaging. Holmatro's industrial cutting tools are a perfect solution to reduce the size of radioactive waste material (stainless steel, ferrous/non-ferrous metals, steel cables, rod material, pipes, profiles, cables, wood, etc.). in a safe and effective manner and to sort the waste for further processing.

Subsea demolition: Unseen at the bottom of the ocean, thousands of kilometers of high voltage and network cables connect the different continents to each other. Holmatro's hydraulic cutters are regularly used to cut these undersea cables for repair or recycling purposes.



Recycling of household appliances

For the recycling of household appliances, such as refrigerators and deep-freezers, Holmatro has developed a special cutter. Its straight blades have cutting teeth and the spreading function of the cutter makes it easy to remove the compressor quickly without changing tools. The blades also enable the material to be pushed aside, in order to create space to cut pipes and cables, again with the same instrument.



Scan the QR code and discover more applications on our website.

Vehicle recycling

Vehicle recycling or car recycling is the dismantling of vehicles for spare parts. The process of recycling a vehicle is extremely complicated as there are many parts to be recycled and many hazardous materials to be removed before the remaining shell is crushed flat, or cubed, to facilitate economical transportation in bulk to an industrial shredder or hammer mill.

Thanks to their low weight and the special blade design, Holmatro's hydraulic cutters are ideal for cutting catalytic converters, exhaust pipes, doors, A- and B-posts, drive shafts (hollow), engine mountings, steering columns, bumpers, bull bars and pressed steel wishbones. The lightest cutter only weighs 9.4 kg, and the special U-shaped blades "20 short" and "30 standard" pull the material towards the strongest point of the cutter.



Demolition

In demolition, you can come across a hundred and more materials that need to be removed from all sorts of buildings and constructions. Very suitable for demolition applications and for handling the most diverse materials are Holmatro's cutters with short and standard blades. The standard blade is ideal for cutting bigger elements because of the U-shape, which pulls the material towards the strongest point of the cutter. The short blade is more suitable in those situations when less space is available, whereas a high cutting force is required.



Hydraulic spreaders

Holmatro's spreader is specially designed for destructive testing use in the automotive manufacturing environment. Our experience provides us the technical expertise needed to offer you adequate solutions for almost any spreading application you can think of.

Car manufacturing

In car manufacturing welds are tested in two different ways: ultrasonic (every weld) and destructive (random). Based on decades of experience in hydraulic spreader technology, Holmatro has designed an industrial hydraulic spreader system, HATS (Holmatro Automotive Testing System), specifically for destructive testing use in the automotive manufacturing environment.



Features hydraulic cutter

Ergonomics

Holmatro stationary cutters are equipped with a rotation mechanism that makes it possible to rotate a tool in any direction and under any angle. The operator can cut objects without first having to place them in a particular position. This feature enables higher productivity levels. Of greater importance is the fact that the physical demands made on the operators were been greatly reduced.

The mobile (battery) cutters are lightweight, easy in use and transportation, and fitted with an adjustable handle.



Quick and simple exchange of blades

Holmatro industrial cutter blades are very durable. In addition, they are extremely simple to change yourself, should you need to utilise your cutter for a wider range of applications.



Safe to operate, easy to use

As well as being extremely user-friendly, Holmatro industrial cutters are outstanding in the safety of their operation. Attributes such as the dead man's function, shielding of all moving parts, greatly limit the chances of accidents happening. Another feature is the fact that the tools can only be operated by using both hands.

Mobile, battery or stationary



Mobile

The mobile cutter is specially developed for use 'in the field'. Examples of this are the removal of old pipelines (e.g. old petrol stations), building demolition, cutting electricity or telephone cables, etc. For this model, the accent is placed on mobility. Mobile cutters are constructed from high-grade aluminium resulting in strong yet very light tools. The pump units are also specially developed for mobile use. The pumps, electric- or petrol-driven, are compact and light in weight, enabling work to be carried out at locations that are difficult to access. A complete cutter set consists of a mobile cutter, a mobile pump and a hose. Various accessories are available.



Battery

The battery cutter is specially developed for applications where more freedom of movement is required, where cutting needs to be done in hard to reach places or in applications that require the cutter to be standby for urgent use. It offers more flexibility to the operator, which saves time and money compared to the traditional cutter, hose and pump combination. Battery cutters are constructed from high-grade aluminium. The battery pump is based on the proven lithium-ion battery technology that combines a long battery life with a high capacity for maximum operational use. A complete cutter set consists of a mobile cutter and a battery. Various accessories are available.



Stationary

The stationary cutter is specially developed for continuous use, like, for example, processes whereby repeated tasks (cutting, flattening, and tearing) are carried out at a fixed point on the production line. For this model, the accent is placed on durability (high load frequency) and ergonomics (prolonged physical demands). Stationary cutters are constructed from high-grade steel. A balancer compensates the weight increase in comparison to the portable aluminium model. The hydraulic pump is also adapted to meet the demands of continuous use. A complete stationary cutter set consists of a stationary cutter, a stationary pump and a hose. Various accessories are available.

Which set of cutter blades is the most suitable for your application? Look up the application of your choice in the table on this page and find out which set of blades corresponds with it. When in doubt, please contact Holmatro.

Note that the various cutter blades are interchangeable, extra hardened and regrindable.

blade type	description	applications
10 cable	blade with special blade guiding	Cable recycling and production: telephone cables, ground cables, electro cables and steel cables.
20 short	general short, parrot like blade	Car recycling: catalytic converters, exhaust pipes, doors, A- and B-posts, drive shafts (hollow), engine mountings, steering columns, bumpers, bull bars and pressed steel wishbones. Demolition: rod material, tube profiles, frames, construction materials, wood, roots (trees), fuel pipes, heating pipes, small cables. Foundry: removing risers and feeders from aluminium castings.
30 standard	general standard blade	Car recycling: catalytic converters, exhaust pipes, doors, A- and B-posts, drive shafts (hollow), engine mountings, steering columns, bumpers, bull bars and pressed steel wishbones. Demolition: rod material, tube profiles, frames, construction materials, wood, roots (trees), fuel pipes, heating pipes, small cables. Foundry: removing risers and feeders from aluminium castings.
40 straight	blade with cutting teeth and spreading function	Recycling of refrigerators and other household appliances: removing of compressor, cables, profiles. Demolition: steel plate, strip material, square profiles.
60 combi	blade with cutting teeth and spreading / squeezing tips	Recycling of refrigerators and other household appliances: removing of compressor, cables, profiles. Demolition: steel plate, strip material, square profiles.
70 GP	blade with cutting teeth and parrot like end	Demolition: scrap, strip, profiles, frames, etc.

Blade types

model	10 cable	20 short	30 standard	40 straight	60 combi	70 GP
ICU 05 BCU 05						
ICU 10 / 20 BCU 10 / 20						
ICU 40 BCU 40						



Hydraulic cutters





Features & benefits ↓

- Lightweight, user-friendly and ergonomic
- Flat lever hinge pin construction enabling optimum reach
- Fast for an efficient (production) process
- Stays on torque due to permanent locking of central bolt
- Various blade types available
 - Cutting capacities up to 65,7 ton
 - Quickly and easily exchangeable
- Safe
 - Tools can only be operated by using both hands
 - Dead man's function
 - Guarded moving parts

Available on request ↓

- Cutters manufactured in conformity with customer specifications

Accessories ↓

- Torque wrench for central bolt
- Service set (complete) in plastic carrying box
- Pressure gauge connection set for checking the operating pressure
- Leather protection sleeve for couplers between cutter and hose
- Lubricants
- Trolley, mobile suspension point and balancers

Mobile pumps	page	30
Hoses for mobile cutters	page	33
Accessories	page	35



Mobile cutters

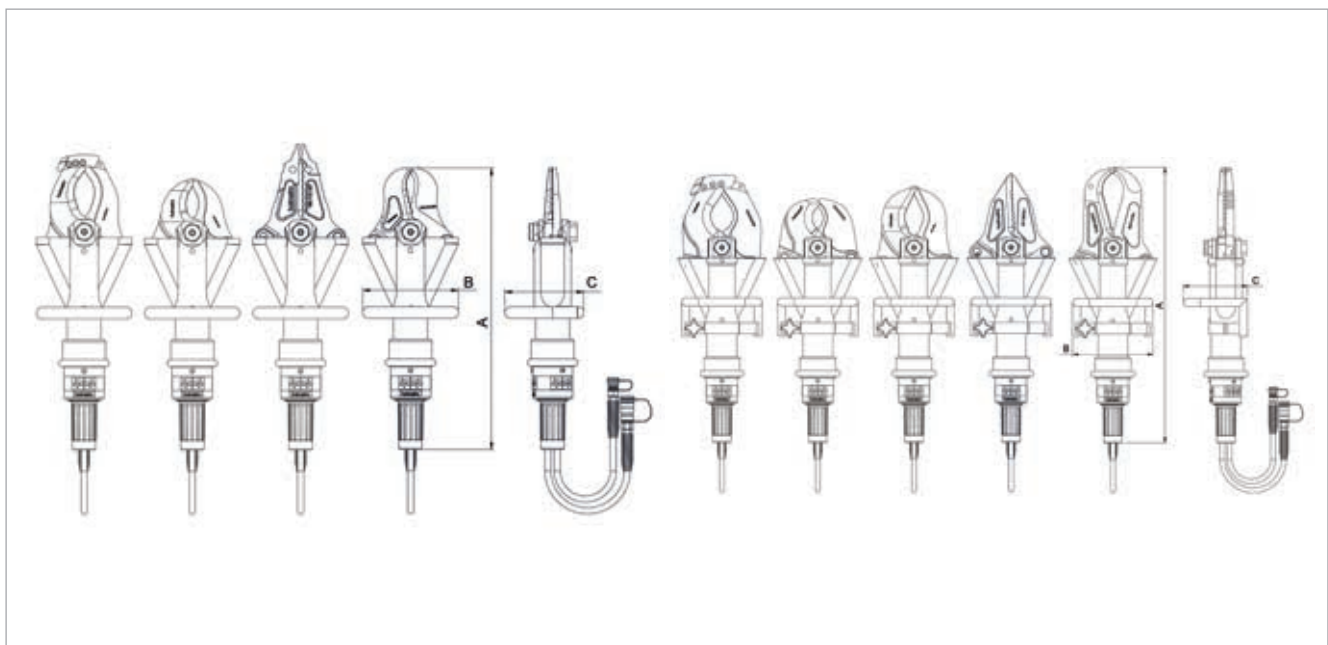


model	ICU 05 A 10	ICU 05 A 30	ICU 05 A 60	ICU 05 A 70	ICU 10 A 10	ICU 10 A 20
art no	170.012.099	170.012.100	170.012.101	170.012.102	170.012.053	170.012.054
blade type	10 cable	30 standard	60 combi	70 GP	10 cable	20 short
cutter type	mobile	mobile	mobile	mobile	mobile	mobile
max. working pressure	bar/Mpa	500 / 50	500 / 50	500 / 50	500 / 50	500 / 50
max. spreading opening	mm		266			
max. cutting opening	mm	95	98	191	142	115
max. spreading force	kN/t		153 / 15.6			
max. cutting force	kN/t	104 / 10.6	124 / 12.6	172 / 17.5	176 / 17.9	242 / 24.7
required oil content (effective)	cc	37	37	37	37	84
weight, ready for use	kg	10.3	9.4	9.4	9.5	17.3
temperature range	°C	-20 + 80	-20 + 80	-20 + 80	-20 + 80	-20 + 80

Mobile cutters (dimensions)



model	ICU 05 A 10	ICU 05 A 30	ICU 05 A 60	ICU 05 A 70	ICU 10 A 10	ICU 10 A 20
dimension A	mm	630	580	655	602	737
dimension B	mm	205	205	205	205	222
dimension C	mm	170	170	170	170	177



Mobile cutters

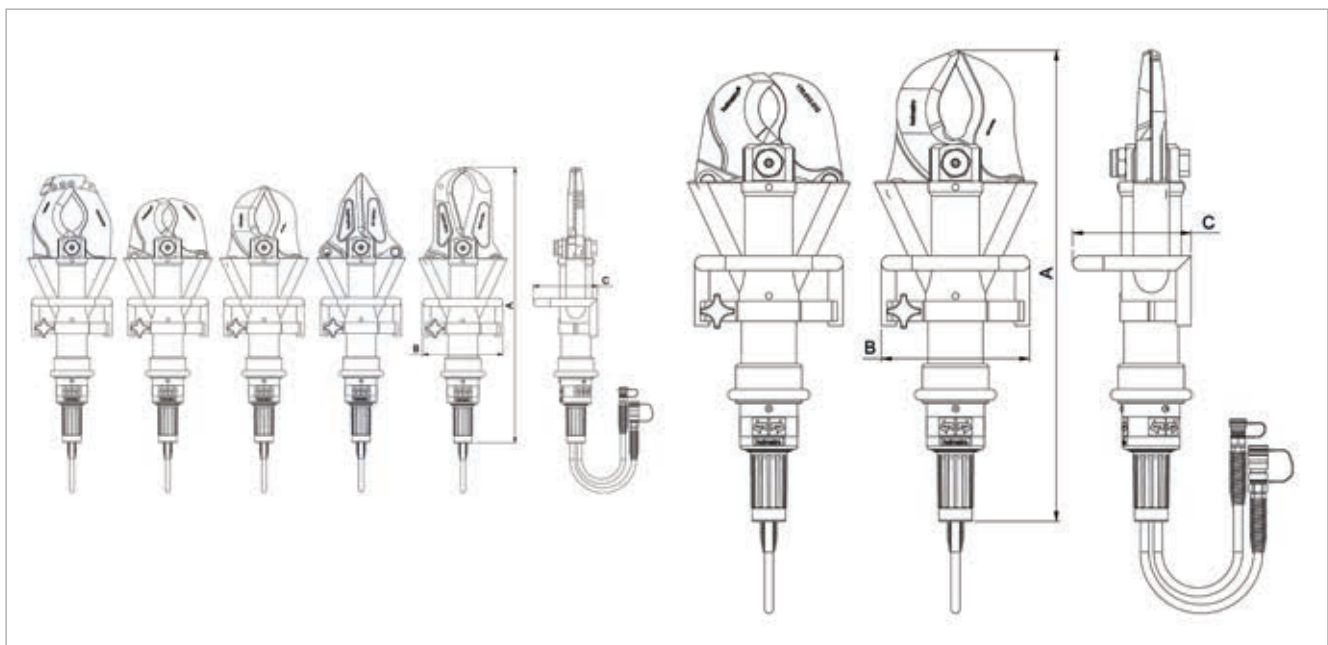


model	ICU 10 A 30	ICU 10 A 40	ICU 10 A 70	ICU 40 A 20	ICU 40 A 30
art no	170.012.055	170.012.056	170.012.098	170.012.042	170.012.047
blade type	30 standard	40 straight	70 GP	20 short	30 standard
cutter type	mobile	mobile	mobile	mobile	mobile
max. working pressure	bar/Mpa	500 / 50	500 / 50	500 / 50	500 / 50
max. spreading opening	mm	305	312		
max. cutting opening	mm	158	296	102	181
max. spreading force	kN/t		92 / 9.4	91 / 9.3	
max. cutting force	kN/t	246 / 25.1	264 / 26.9	264 / 26.9	594 / 60.6
required oil content (effective)	cc	84	84	84	163
weight, ready for use	kg	15.3	15.4	16.0	19.0
temperature range	°C	-20 + 80	-20 + 80	-20 + 80	-20 + 80

Mobile cutters (dimensions)



model	ICU 10 A 30	ICU 10 A 40	ICU 10 A 70	ICU 40 A 20	ICU 40 A 30
dimension A	mm	706	740	751	720
dimension B	mm	222	222	222	270
dimension C	mm	177	177	177	218





holmatro
2025017

holmatro
2025017



Features & benefits ↓

- Lightweight, user-friendly and ergonomic
- Self-contained
 - For optimal freedom of movement
 - Rapid deployment
- Battery on top of the tools; quick and easy to change, even in narrow spaces
- Latest lithium-ion battery technology
 - Long battery life combined with high capacity for maximum operational use
 - Low self-discharge rate, no memory effect
 - Suitable for use at high altitudes
 - LED indicator to check battery capacity left
- All weather proof
 - Suitable for use at below zero temperatures, down to -20°C / -4°F
 - Suitable for use in wet weather conditions
- Emission-free
 - No fumes: healthier for users
 - Ideal for use in confined and/or underground spaces
 - Environmentally friendly
- Various blade types available
 - Quickly and easily exchangeable
- Safe
 - Dead man's function
 - Guarded moving parts

Available on request ↓

- Cutters manufactured in conformity with customer specifications

Accessories ↓

- Torque wrench for central bolt
- Service set (complete) in plastic carrying box
- Lubricants

Accessories battery cutters

page

38



Battery cutters

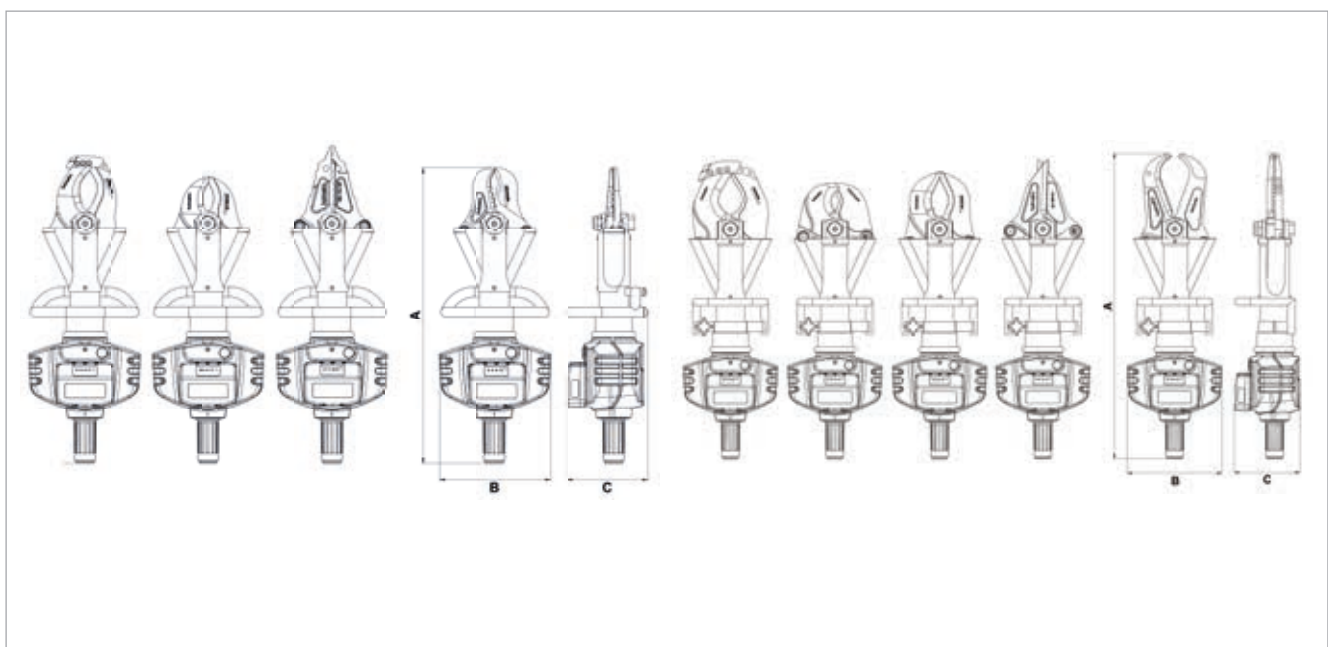


model	BCU 05 A 10	BCU 05 A 30	BCU 05 A 60	BCU 05 A 70	BCU 10 A 10	BCU 10 A 20
art no	170.012.126	170.012.127	170.012.128	170.012.129	170.012.130	170.012.131
blade type	10 cable	30 standard	60 combi	70 GP	10 cable	20 short
cutter type	mobile	mobile	mobile	mobile	mobile	mobile
battery included	no	no	no	no	no	no
max. working pressure	bar/Mpa	500 / 45	500 / 45	500 / 45	500 / 45	500 / 45
max. spreading opening	mm		266			
max. cutting opening	mm	95	98	191	142	115
max. spreading force	kN/t			153 / 15.6		
max. cutting force	kN/t	104 / 10.6	124 / 12.6	172 / 17.5	176 / 17.9	242 / 24.7
protection rate		IP54	IP54	IP54	IP54	IP54
required oil content (effective)	cc	37	37	37	37	84
weight, ready for use	kg	14.7	13.8	13.8	13.9	21.5
temperature range	°C	-20 + 55	-20 + 55	-20 + 55	-20 + 55	-20 + 55

Battery cutters (dimensions)



model	BCU 05 A 10	BCU 05 A 30	BCU 05 A 60	BCU 05 A 70	BCU 10 A 10	BCU 10 A 20
dimension A	mm	764	714	789	736	874
dimension B	mm	227	227	227	227	277
dimension C	mm	203	203	203	203	192

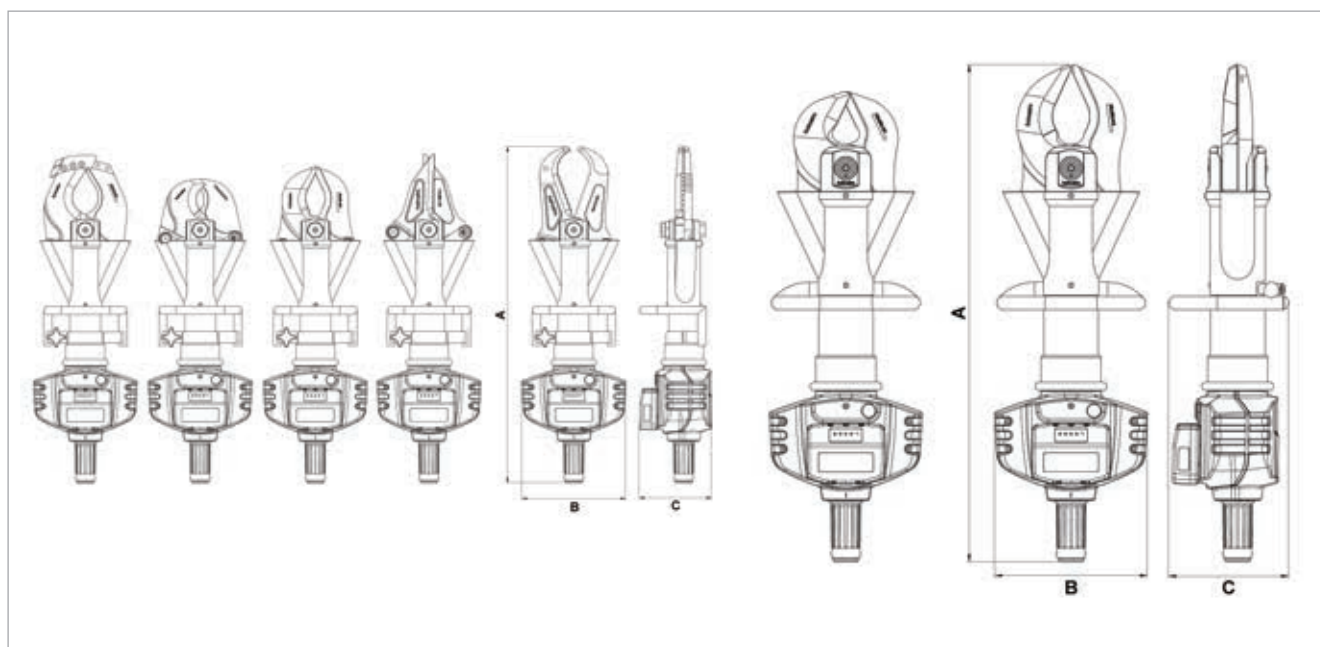


Battery cutters


model	BCU 10 A 30	BCU 10 A 40	BCU 10 A 70	BCU 40 A 20	BCU 40 A 30
art no	170.012.132	170.012.133	170.012.134	170.012.135	170.012.136
blade type	30 standard	40 straight	70 GP	20 short	30 standard
cutter type	mobile	mobile	mobile	mobile	mobile
battery included	no	no	no	no	no
max. working pressure	bar/Mpa	500 / 45	500 / 45	500 / 45	500 / 45
max. spreading opening	mm		305	312	
max. cutting opening	mm	158	296	236	102
max. spreading force	kN/t		92 / 9.4	91 / 9.3	
max. cutting force	kN/t	246 / 25.1	264 / 26.9	264 / 26.9	594 / 60.6
protection rate		IP54	IP54	IP54	IP54
required oil content (effective)	cc	84	84	84	163
weight, ready for use	kg	19.5	19.6	20.2	23.2
temperature range	°C	-20 + 55	-20 + 55	-20 + 55	-20 + 55

Battery cutters (dimensions)


model	BCU 10 A 30	BCU 10 A 40	BCU 10 A 70	BCU 40 A 20	BCU 40 A 30
dimension A	mm	843	877	885	854
dimension B	mm	277	277	277	277
dimension C	mm	192	192	192	218







Features & benefits ↓

- Lightweight, user-friendly and ergonomic
- Flat lever hinge pin construction enabling optimum reach
- Fast for an efficient (production) process
- Stays on torque due to permanent locking of central bolt
- Various blade types available
 - Cutting capacities up to 26.9 ton
 - Quickly and easily exchangeable
- Safe
 - Two-hand operation (ICU 20 ST and ICU 20 STH)
 - Dead man's function
 - Guarded moving parts

Available on request ↓

- ICU 20 cutter with blade type 60 combi (toothed with spreading and squeezing points)
- Cutters manufactured in conformity with customer specifications

Accessories ↓

- Torque wrench for central bolt
- Service set (complete) in plastic carrying box
- Pressure gauge connection set for checking the operating pressure
- Leather protection sleeve for couplers between cutter and hose
- Lubricants
- Trolley, mobile suspension point and balancers

Stationary pumps	page	31
Hoses for stationary cutters	page	34
Accessories	page	35



Stationary cutters - Standard

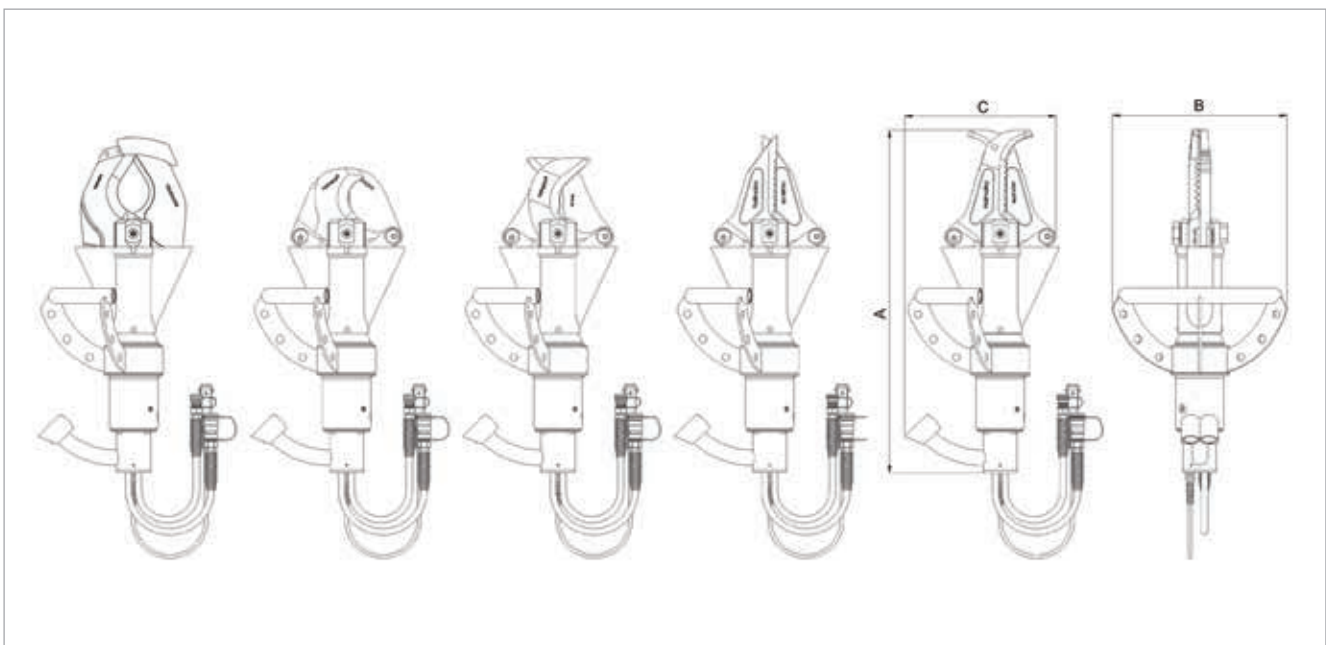


model	ICU 20 S 10	ICU 20 S 20	ICU 20 S 30	ICU 20 S 40	ICU 20 S 70
art no	170.012.057	170.012.058	170.012.059	170.012.060	170.012.063
blade type	10 cable	20 short	30 standard	40 straight	70 GP
cutter type	stationary	stationary	stationary	stationary	stationary
max. working pressure	bar/Mpa	500 / 50	500 / 50	500 / 50	500 / 50
max. spreading opening	mm			305	312
max. cutting opening	mm	115	140	158	296
max. spreading force	kN/t			92 / 9.4	91 / 9.3
max. cutting force	kN/t	242 / 24.7	234 / 23.9	246 / 25.1	264 / 26.9
required oil content (effective)	cc	84	84	84	84
weight, ready for use	kg	28.5	26.7	26.6	26.6
temperature range	°C	-20 + 80	-20 + 80	-20 + 80	-20 + 80

Stationary cutters - Standard (dimensions)



model	ICU 20 S 10	ICU 20 S 20	ICU 20 S 30	ICU 20 S 40	ICU 20 S 70
dimension A	mm	692	628	651	639
dimension B	mm	361	361	361	361
dimension C	mm	312	312	312	312





Features & benefits ↓

- Lightweight, user-friendly and ergonomic
- Flat lever hinge pin construction enabling optimum reach
- Fast for an efficient (production) process
- Stays on torque due to permanent locking of central bolt
- Various blade types available
 - Cutting capacities up to 26.9 ton
 - Quickly and easily exchangeable
- Safe
 - Two-hand operation (ICU 20 ST and ICU 20 STH)
 - Dead man's function
 - Guarded moving parts

Available on request ↓

- ICU 20 cutter with blade type 60 combi (toothed with spreading and squeezing points)
- Cutters manufactured in conformity with customer specifications

Accessories ↓

- Torque wrench for central bolt
- Service set (complete) in plastic carrying box
- Pressure gauge connection set for checking the operating pressure
- Leather protection sleeve for couplers between cutter and hose
- Lubricants
- Trolley, mobile suspension point and balancers

Additional information ↓

Technical details the same as standard, except dimensions



Stationary cutters - Horizontal assembled blades

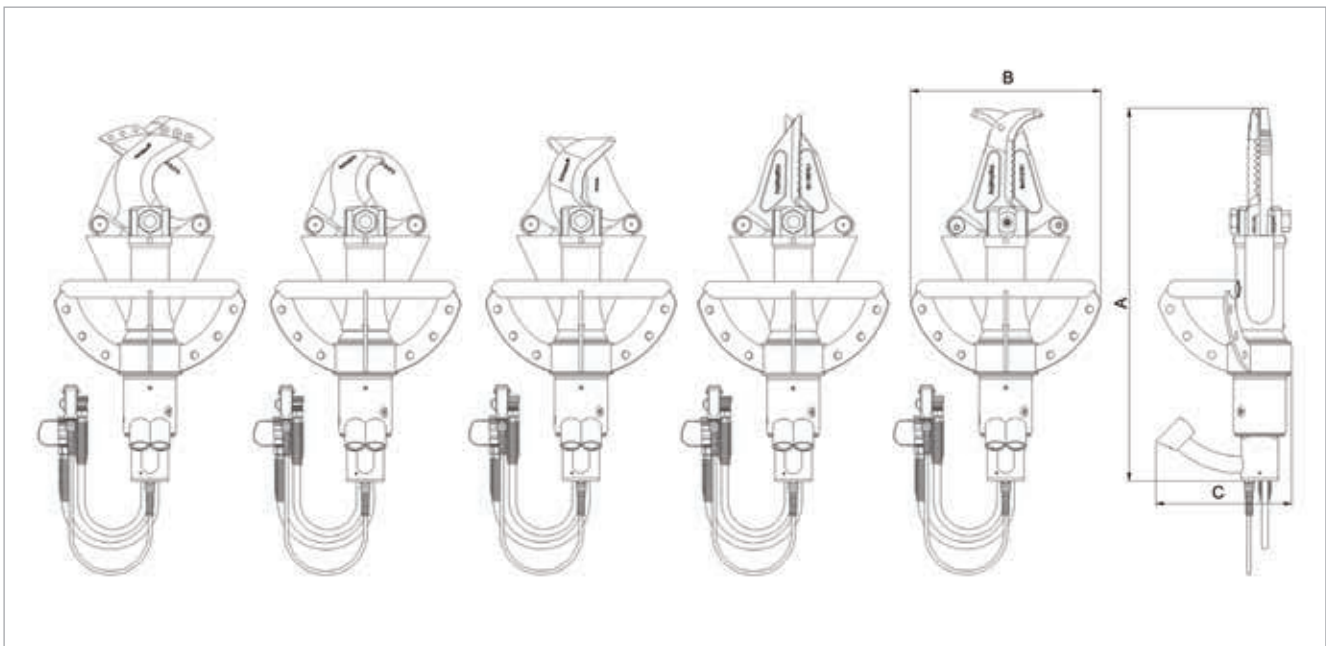


model	ICU 20 SH 10	ICU 20 SH 20	ICU 20 SH 30	ICU 20 SH 40	ICU 20 SH 70
art no	170.012.050	170.012.065	170.012.066	170.012.067	170.012.070
blade type	10 cable	20 short	30 standard	40 straight	70 GP
cutter type	stationary - horizontal assembled blades				
max. working pressure	bar/Mpa	500 / 50	500 / 50	500 / 50	500 / 50
max. spreading opening	mm			305	312
max. cutting opening	mm	115	140	158	296
max. spreading force	kN/t			92 / 9.4	91 / 9.3
max. cutting force	kN/t	242 / 24.7	234 / 23.9	246 / 25.1	264 / 26.9
required oil content (effective)	cc	84	84	84	84
weight, ready for use	kg	28.5	26.7	26.6	26.6
temperature range	°C	-20 + 80	-20 + 80	-20 + 80	-20 + 80

Stationary cutters - Horizontal assembled blades (dimensions)



model	ICU 20 SH 10	ICU 20 SH 20	ICU 20 SH 30	ICU 20 SH 40	ICU 20 SH 70
dimension A	mm	692	628	651	639
dimension B	mm	361	361	361	361
dimension C	mm	312	312	312	312





Features & benefits ↓

- Lightweight, user-friendly and ergonomic
- Flat lever hinge pin construction enabling optimum reach
- Fast for an efficient (production) process
- Stays on torque due to permanent locking of central bolt
- Various blade types available
 - Cutting capacities up to 26.9 ton
 - Quickly and easily exchangeable
- Safe
 - Two-hand operation
 - Dead man's function
 - Guarded moving parts

Available on request ↓

- ICU 20 cutter with blade type 60 combi (toothed with spreading and squeezing points)
- Cutters manufactured in conformity with customer specifications

Accessories ↓

- Torque wrench for central bolt
- Service set (complete) in plastic carrying box
- Pressure gauge connection set for checking the operating pressure
- Leather protection sleeve for couplers between cutter and hose
- Lubricants
- Trolley, mobile suspension point and balancers

Additional information ↓

Technical details the same as standard, except weight and dimensions



Stationary cutters - Two hands operation

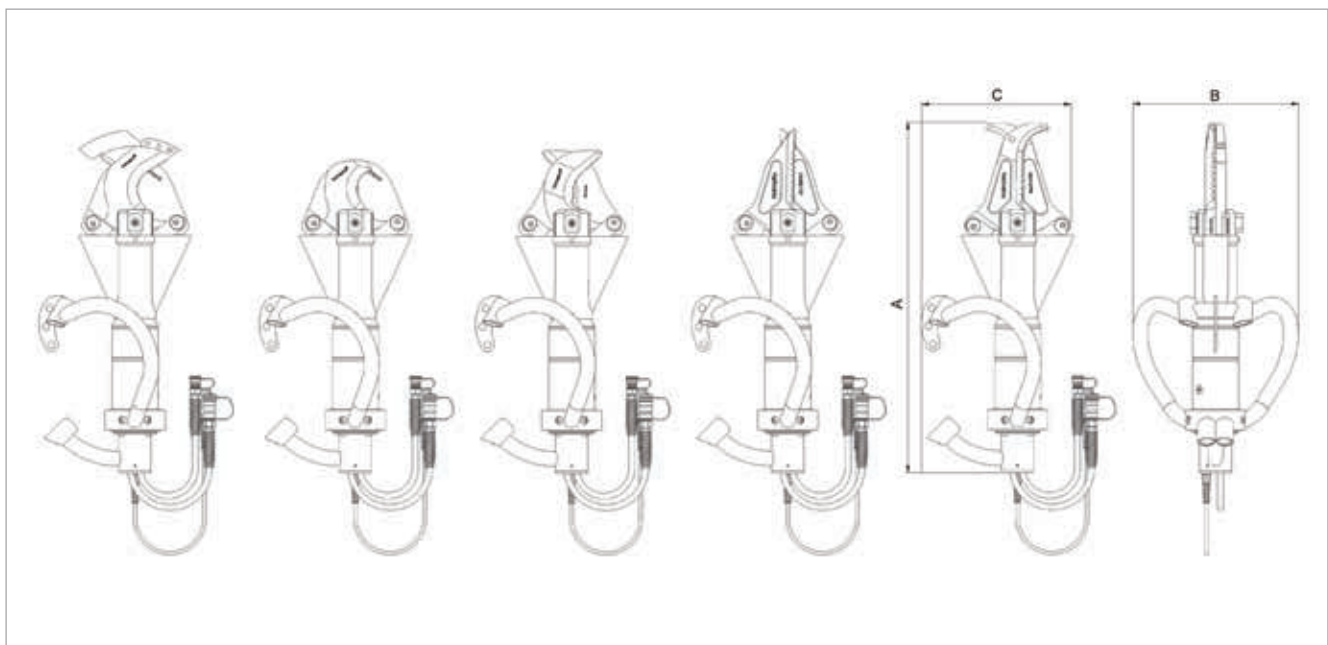


model	ICU 20 ST 10	ICU 20 ST 20	ICU 20 ST 30	ICU 20 ST 40	ICU 20 ST 70
art no	170.012.071	170.012.072	170.012.073	170.012.074	170.012.077
blade type	10 cable	20 short	30 standard	40 straight	70 GP
cutter type	stationary - two hand operation				
max. working pressure	bar/Mpa 500 / 50				
max. spreading opening				305	312
max. cutting opening	115	140	158	296	236
max. spreading force				92 / 9.4	91 / 9.3
max. cutting force	242 / 24.7	234 / 23.9	246 / 25.1	264 / 26.9	264 / 26.9
required oil content (effective)	cc 84				
weight, ready for use	kg 28.5 26.7 26.6 26.6 27.3				
temperature range	°C -20 + 80				

Stationary cutters - Two hands operation (dimensions)



model	ICU 20 ST 10	ICU 20 ST 20	ICU 20 ST 30	ICU 20 ST 40	ICU 20 ST 70
dimension A	692	628	651	639	707
dimension B	361				
dimension C	312				





Features & benefits ↓

- Lightweight, user-friendly and ergonomic
- Flat lever hinge pin construction enabling optimum reach
- Fast for an efficient (production) process
- Stays on torque due to permanent locking of central bolt
- Various blade types available
 - Cutting capacities up to 26.9 ton
 - Quickly and easily exchangeable
- Safe
 - Two-hand operation
 - Dead man's function
 - Guarded moving parts

Available on request ↓

- ICU 20 cutter with blade type 60 combi (toothed with spreading and squeezing points)
- Cutters manufactured in conformity with customer specifications

Accessories ↓

- Torque wrench for central bolt
- Service set (complete) in plastic carrying box
- Pressure gauge connection set for checking the operating pressure
- Leather protection sleeve for couplers between cutter and hose
- Lubricants
- Trolley, mobile suspension point and balancers

Additional information ↓

Technical details the same as standard, except weight and dimensions

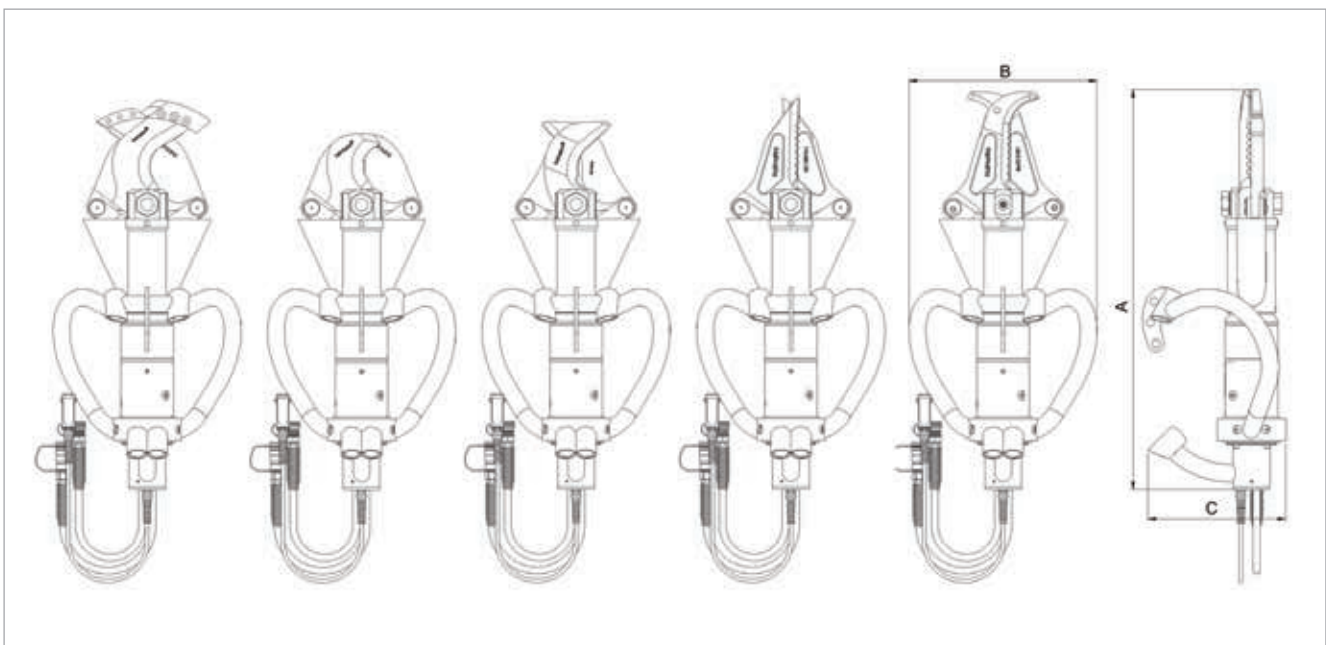


Stationary cutters - Horizontal assembled blades and two hand operation


model		ICU 20 STH 10	ICU 20 STH 20	ICU 20 STH 30	ICU 20 STH 40	ICU 20 STH 70
art no		170.012.078	170.012.079	170.012.080	170.012.081	170.012.084
blade type		10 cable	20 short	30 standard	40 straight	70 GP
cutter type		stationary - horizontal assembled blades and two hand operation	stationary - horizontal assembled blades and two hand operation	stationary - horizontal assembled blades and two hand operation	stationary - horizontal assembled blades and two hand operation	stationary - horizontal assembled blades and two hand operation
max. working pressure	bar/Mpa	500 / 50	500 / 50	500 / 50	500 / 50	500 / 50
max. spreading opening	mm				305	312
max. cutting opening	mm	115	140	158	296	236
max. spreading force	kN/t				92 / 9.4	91 / 9.3
max. cutting force	kN/t	242 / 24.7	234 / 23.9	246 / 25.1	264 / 26.9	264 / 26.9
required oil content (effective)	cc	84	84	84	84	84
weight, ready for use	kg	28.5	26.7	26.6	26.6	27.3
temperature range	°C	-20 + 80	-20 + 80	-20 + 80	-20 + 80	-20 + 80

Stationary cutters - Horizontal assembled blades and two hand operation (dimensions)


model		ICU 20 STH 10	ICU 20 STH 20	ICU 20 STH 30	ICU 20 STH 40	ICU 20 STH 70
dimension A	mm	692	628	651	639	707
dimension B	mm	361	361	361	361	361
dimension C	mm	312	312	312	312	312




Features & benefits


- Compact and lightweight
- 2-stage pump for higher operating speed
- Durable, low maintenance

Standard supplied with


- Protection frame (IPU-M 2035 DRU / PRU)

Available on request


- Larger tank
- Other voltages / frequencies

Accessories


- IPU-M 06 / 12
 - Protection frame (art no 100.151.056)
 - Cover plate for protection frame (art no 100.151.040)
 - Carrying handles (art no 100.151.053)
- (NB. the above options are not possible in combination with transport carriage 170.182.003)

Mobile pumps


model	IPU-M 2035 DRU	IPU-M 2035 PRU	IPU-M 2035 DRU M/K	IPU-M 06 W 6 SQ	IPU-M 06 W 6 SD	IPU-M 12 W 6 SD
art no	170.152.007	170.152.034	170.152.015	170.152.010	170.152.020	170.152.039
max. working pressure	bar/Mpa	500 / 50	500 / 50	500 / 50	500 / 50	500 / 50
for cutter type	mobile	mobile	mobile	mobile	mobile	mobile
capacity oil tank (effective)	cc	2000	2000	2000	6000	6000
first stage output / min.	cc	2400	2400	2400	1600	3200
second stage output / min.	cc	700	700	700	600	1200
first stage pressure range	bar/Mpa	0-200 / 0-20	0-200 / 0-20	0-200 / 0-20	0-200 / 0-20	0-200 / 0-20
second stage pressure range	bar/Mpa	200-500 / 20-50	200-500 / 20-50	200-500 / 20-50	200-500 / 20-50	200-500 / 20-50
operator type	electric motor	petrol engine	electric motor	electric motor	electric motor	electric motor
engine	230 VAC - 0.75 kW - 50 Hz - 1 Ph	4-stroke - 2.9 HP - 2.1 kW	200/220 VAC - 0.75 kW - 50/60 Hz - 3 Ph	110 VAC - 1.1 kW - 50 Hz - 1 Ph	230 VAC - 1.1 kW - 50 Hz - 1 Ph	230 VAC - 1.5 kW - 50 Hz - 1 Ph
weight, ready for use	kg	27.5	26.0	27.5	45.0	47.0
dimensions (LxWxH)	mm	405 x 325 x 375	405 x 345 x 430	405 x 325 x 375	462 x 339 x 470	462 x 339 x 470



IPU-S 12 W 50 D


Features & benefits


- 2-stage pump for higher operating speed
- Durable, low maintenance
- Safe
 - Protected against pressure drop by non-return valve in return port (prevents rebound when spreading)
 - In case of power failure, the system will become pressureless

Available on request


- Larger tank
- Other voltages / frequencies

Hoses for stationary cutters
Accessories

page 34
page 35

Stationary pumps


model		IPU-S 12 W 50 D	IPU-S 12 W 25 E	IPU-S 12 W 50 E	IPU-S 18 W 25 E	IPU-S 18 W 50 E
art no		170.152.011	170.152.002	170.152.003	170.152.004	170.152.005
max. working pressure	bar/Mpa	500 / 50	500 / 50	500 / 50	500 / 50	500 / 50
for cutter type		stationary	stationary	stationary	stationary	stationary
capacity oil tank (effective)	cc	50000	25000	50000	25000	50000
first stage output / min.	cc	3200	3200	3200	5000	5000
second stage output / min.	cc	1200	1200	1200	1800	1800
first stage pressure range	bar/Mpa	0-200 / 0-20	0-200 / 0-20	0-200 / 0-20	0-200 / 0-20	0-200 / 0-20
second stage pressure range	bar/Mpa	200-500 / 20-50	200-500 / 20-50	200-500 / 20-50	200-500 / 20-50	200-500 / 20-50
operator type		electric motor	electric motor	electric motor	electric motor	electric motor
engine		230 VAC - 1.5 kW - 50 Hz - 1 Ph	400 VAC - 1.5 kW - 50 Hz - 3 Ph	400 VAC - 1.5 kW - 50 Hz - 3 Ph	400 VAC - 2.2 kW - 50 Hz - 3 Ph	400 VAC - 2.2 kW - 50 Hz - 3 Ph
weight, ready for use	kg	117.0	85.0	115.0	87.0	117.0
dimensions (LxWxH)	mm	528 x 400 x 999	528 x 400 x 864	528 x 400 x 999	528 x 400 x 864	528 x 400 x 999



IPU-M 32 S 25 E

Features & benefits


- Especially for applications in which speed is more important than capacity
- Lower operating pressure
 - 30% cutting force decrease
 - Higher output (3.2 l/min. continuously)
- Extremely durable, low maintenance
- Safe
 - Protected against pressure drop by non-return valve in return port (prevents rebound when spreading)
 - In case of power failure, the system will become pressureless

Available on request


- Larger tank
- Other voltages/frequencies

Extremely durable pumps


model	IPU-M 32 S 25 E	IPU-S 32 S 25 E	IPU-S 32 S 50 E
art no	170.152.503	170.152.500	170.152.501
max. working pressure	bar/Mpa 350 / 35	350 / 35	350 / 35
for cutter type	mobile	stationary	stationary
capacity oil tank (effective)	cc 25000	25000	50000
first stage output / min.	cc 3200	3200	3200
first stage pressure range	bar/Mpa 0-350 / 0-35	0-350 / 0-35	0-350 / 0-35
operator type	electric motor	electric motor	electric motor
engine	400 VAC - 2.2 kW - 50 Hz - 3 Ph	400 VAC - 2.2 kW - 50 Hz - 3 Ph	400 VAC - 2.2 kW - 50 Hz - 3 Ph
weight, ready for use	kg 72.0	85.0	115.0
dimensions (LxWxH)	mm 528 x 400 x 651	528 x 400 x 864	528 x 400 x 999



IVL 3 SOU

Features & benefits ↓

- Anti-kink springs on both sides
- 4:1 safety ratio

Standard supplied with ↓

- Couplers

Available on request ↓

- Different lengths
- Other colour

Hoses - Hoses for mobile cutters ↓

model	IVL 3 SOU	IVL 5 SOU	IVL 10 SOU	IVL 15 SOU	IVL 20 SOU	IVL 25 SOU
art no	100.570.050	100.570.001	100.570.002	100.570.003	100.570.004	100.570.005
max. working pressure bar/Mpa	720 / 72	720 / 72	720 / 72	720 / 72	720 / 72	720 / 72
for cutter type	mobile	mobile	mobile	mobile	mobile	mobile
color	orange	orange	orange	orange	orange	orange
hose connection A	A 239	A 239	A 239	A 239	A 239	A 239
hose connection B	A 240	A 240	A 240	A 240	A 240	A 240
length m	3	5	10	15	20	25



IVL 5 SOU-EK

Features & benefits ↓

- Anti-kink springs on both sides
- 4:1 safety ratio

Standard supplied with ↓

- Couplers
- Protection sleeves for hoses and couplers
- 12V cable for electric button operation of cutter






Available on request ↓

- Different lengths
- Other colour




Hoses - Hoses for stationary cutters ↓

model	IVL 5 SOU-EK	IVL 10 SOU-EK	IVL 20 SOU-EK
art no	170.570.001	170.570.002	170.570.014
max. working pressure	bar/Mpa 720 / 72	720 / 72	720 / 72
for cutter type	stationary	stationary	stationary
color	orange	orange	orange
hose connection A	A 239	A 239	A 239
hose connection B	A 240	A 240	A 240
length	m 5	10	15




Accessories - Service tools - ICU/BCU 05


image	description	model	art no
	Torque wrench.	-	150.581.671
	Ring spanner hex. size 36 for torque wrench.	-	170.182.005
	Maintenance set.	-	170.013.111
	Pressure gauge set for checking working pressure.	-	170.182.006
	Leather protection cover for connections between cutter and hose.	-	130.183.012






Accessories - Service tools - ICU/BCU 10/20


image	description	model	art no
	Torque wrench set for central bolt.	-	170.182.001
	Torque wrench.	-	150.581.671
	Ring spanner hex. size 41 for torque wrench.	-	170.183.001





Accessories - Service tools - ICU/BCU 10/20


image	description	model	art no
	Maintenance set.	-	170.013.109
	Pressure gauge set for checking working pressure.	-	170.182.006
	Leather protection cover for connections between cutter and hose.	-	130.183.012

Accessories - Service tools - ICU/BCU 40


image	description	model	art no
	Torque wrench.	-	150.581.671
	Ratched head for torque wrench.	-	150.581.672
	Cap. hex. size 41 for torque wrench.	-	150.581.691
	Pressure gauge set for checking working pressure.	-	170.182.006
	Leather protection cover for connections between cutter and hose.	-	130.183.012

Accessories - Lubricants



image	description	model	art no
	Lubricants, set to service products.	-	170.013.021
	High-quality Molykote® grease <ul style="list-style-type: none"> • For metal / metal combinations at slow to fast movements with medium to heavy load • Cartridge 400 g 	-	100.581.082
	Brake cleaner (degreasant) Motip® <ul style="list-style-type: none"> • For cleaning and pre-treatment of surfaces • Spray can 500 ml 	-	890.000.025
	Teflon lubricating oil Sir John® <ul style="list-style-type: none"> • High-quality lubricant and maintenance oil • Spray can 400 ml 	-	150.581.095

Accessories - Battery cutters







image	description	model	art no
	Greenline battery BPA283, 3 Ah - 28V.	BPA283	150.005.823
	Greenline battery BPA285, 5 Ah - 28V.	BPA285	150.006.208
	Greenline battery charger BCH1, 220-240V.	BCH1	150.182.208
	Greenline battery charger BCH2, 100-120V.	BCH2	150.182.209
	Greenline battery car charger BCH3, 12-24 VDC.	BCH3	150.182.286
	Mains power connector BMC1, 220-240V. Mains cable length: 2.5 m (8 ft.), tool cable length: 8 m (26 ft.).	BMC1	150.182.206
	Mains power connector BMC2, 100-120V. Mains cable length: 2.5 m (8 ft.), tool cable length: 8 m (26 ft.).	BMC2	150.182.207
	Battery Pouch for one Greenline battery.	-	150.182.214

Accessories - Battery cutters



image	description	model	art no
	Carrying strap for hand-operated and battery-driven tools.	-	150.182.249

Accessories - Transport and suspension systems


image	description	model	art no
	<p>Trolley for transport of cutter, pump and hose.</p> <ul style="list-style-type: none"> • For a complete mobile set consisting of cutter, pump and hose ; quickly and easily moveable by one person • With rubber tyres: suitable for inside and outside, suitable for various floor and terrain conditions 	-	170.182.003
	<p>Mobile suspension point for suspending tools such as a cutter or a foundry wedge. Max. weight capacity 125 kg.</p>	HMP 3-125	100.003.180
	<p>Balancer, 7 - 10 kg</p> <ul style="list-style-type: none"> • For ICU 05 • For virtually weightless operation of the cutter 	-	100.182.044
	<p>Balancer, 15 - 20 kg</p> <ul style="list-style-type: none"> • For ICU 10 / 40 & HFW 926 • For virtually weightless operation of the cutter or wedge 	-	130.182.039
	<p>Balancer, 25 - 30 kg</p> <ul style="list-style-type: none"> • For ICU 20 • For virtually weightless operation of the cutter 	-	130.581.000

Hydraulic cable cutters





Features & benefits ↓

- Compact
- Lightweight
- Spark-free; safe alternative for grinding
- Quick and reliable
- Usable in all positions
- Hardened blade that can be sharpened

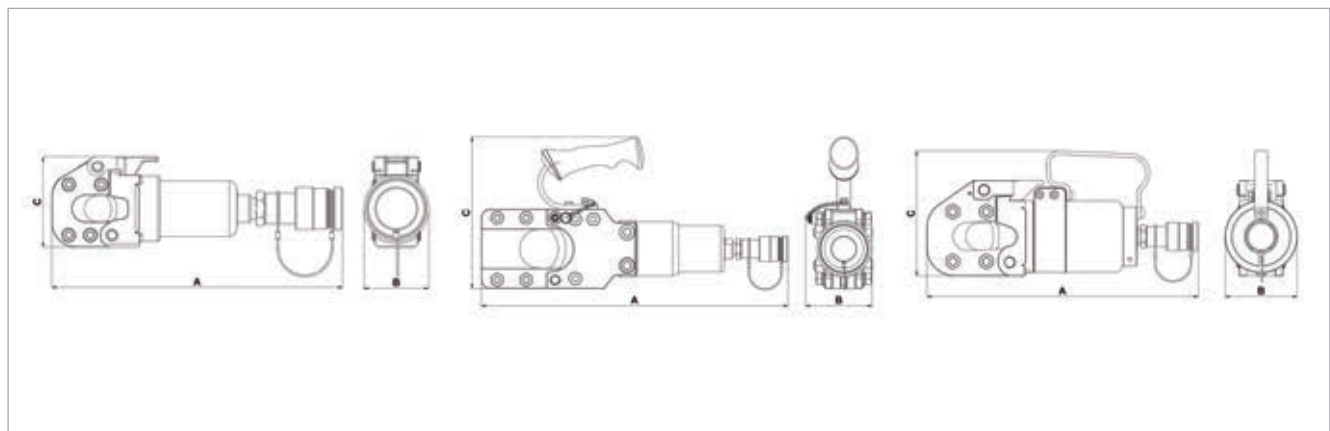
Standard supplied with ↓

- Carrying/storage bag

Hand pumps	page	46
Hydraulic hoses	page	53
Pressure gauges	page	56

Steel cable cutters - Spring return ↓

model	HWC 16 A	HWC 25 A	HWC 32 A
art no	100.012.017	100.012.018	100.012.019
cutter type	steel cable	steel cable	steel cable
max. working pressure	bar/Mpa 720 / 72	720 / 72	720 / 72
max. jaw opening	mm 20	50	32
capacity Ø steel cable 6x7	mm 16	25	32
capacity Ø steel cable 6x12	mm 20	30	32
capacity Ø steel cable 6x19	mm 20	30	32
capacity Ø solid steel	mm 13	19	25
capacity Ø reinforcing steel	mm 13	19	25
capacity Ø ground cable	mm 18	50	32
capacity	kN/t 52 / 5.3	146 / 14.9	249 / 25.4
required oil content (effective)	cc 49	106	135
return type	spring	spring	spring
weight, ready for use	kg 2.0	8.4	8.9
temperature range	°C -20 + 55	-20 + 55	-20 + 55
dimensions (AxBxC)	mm 242 x 54 x 75	425 x 91 x 210	340 x 90 x 156





HCC 85 A



Features & benefits ↓

- Compact
- Lightweight
- Spark-free; safe alternative for grinding
- Quick and reliable
- Usable in all positions
- Hardened blade that can be sharpened

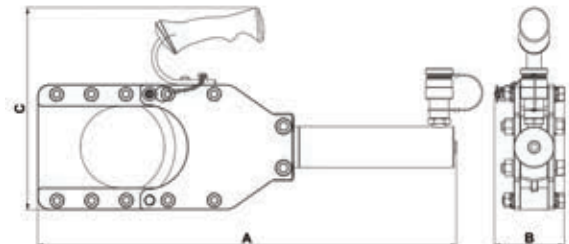
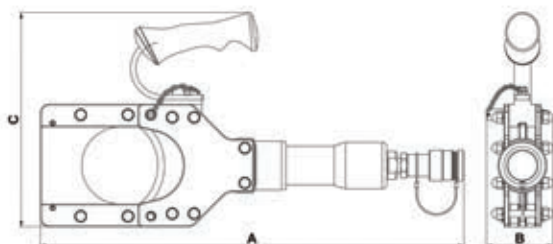
Standard supplied with ↓

- Carrying/storage bag

Hand pumps	page	46
Hydraulic hoses	page	53
Pressure gauges	page	56

Power cable cutters - Spring return ↓

model	HCC 85 A	HCC 100 A
art no	100.012.020	100.012.021
cutter type	power cable	power cable
max. working pressure	bar/Mpa 720 / 72	720 / 72
max. jaw opening	mm 85	100
capacity Ø ground cable	mm 50	75
capacity Ø telephone cable	mm 85	100
capacity	kN/t 49 / 5	87 / 8.9
required oil content (effective)	cc 65	140
return type	spring	spring
weight, ready for use	kg 6.8	12.7
temperature range	°C -20 + 55	-20 + 55
dimensions (AxBxC)	mm 485 x 76 x 245	545 x 85 x 263





HCC 150



Features & benefits



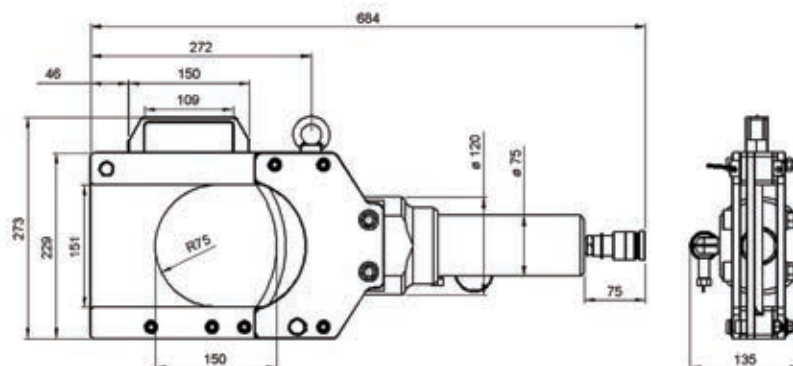
- Compact
- Lightweight
- Spark-free; safe alternative for grinding
- Quick and reliable
- Usable in all positions
- Hardened blade that can be sharpened

Hand pumps	page	46
Hydraulic hoses	page	53
Pressure gauges	page	56

Power cable cutters - Hydraulic return



model	HCC 150	
art no	100.522.150	
cutter type	power cable	
max. working pressure	bar/Mpa	720 / 72
max. jaw opening	mm	145
capacity Ø ground cable	mm	140
capacity Ø telephone cable	mm	145
capacity	kN/t	203.6 / 20.8
required oil content (effective)	cc	452
return type	hydraulic	
weight, ready for use	kg	24.9





HMC 8 U

Features & benefits ↓

- Compact
- Lightweight
- Convenient in small spaces and at difficultly accessible places
- Spark-free; safe alternative for grinding

Additional information ↓

ATTENTION: This tool is designed to be driven exclusively by a Holmatro hydraulic hand or foot pump.

Hand pumps	page	46
Hydraulic hoses	page	53
Pressure gauges	page	56

Minicutter - Spring return ↓

model		HMC 8 U
art no		100.102.032
max. working pressure	bar/Mpa	720 / 72
width of jaw	mm	40
max. cutting force	kN/t	78.5 / 8
required oil content (effective)	cc	43
weight, ready for use	kg	3.0
temperature range	°C	-20 + 55



Features & benefits



- Ergonomic design
 - Light weight; easy to carry and operate
 - Low operating force required; minimal user effort
 - Soft-grip handles; more comfort and grip
 - Anti-slip rubber underneath; pump is stable and does not shift
 - Pump handle lock; easy and safe to carry
- Service- and maintenance-friendly; technical parts are easy to access and replace without removing the tank
- High oil output; quicker action both in the first and second stage
- Accurately adjustable pressure release valve; loads can be lowered safely and with extreme control
- Pressure gauge connection on the pump block; the pressure gauge can be directly mounted on the pump at an angle of 45 degrees, making it easily readable
- Oil level glass in the tank; easily check the oil level in both horizontal and vertical position
- Integrated filler funnel; top up oil easily and quickly without extra accessories
- Push & Unlock pump handle lock; unlocking is quick and easy with one brief push on the pump handle

Hydraulic hoses	page	53
Pressure gauge sets	page	58
Accessories hand pumps	page	59



Accurately adjustable pressure release valve; loads can be lowered safely and with extreme control



Pressure gauge connection on the pump block; the pressure gauge can be directly mounted on the pump at an angle of 45 degrees, making it easily readable

Hand pumps

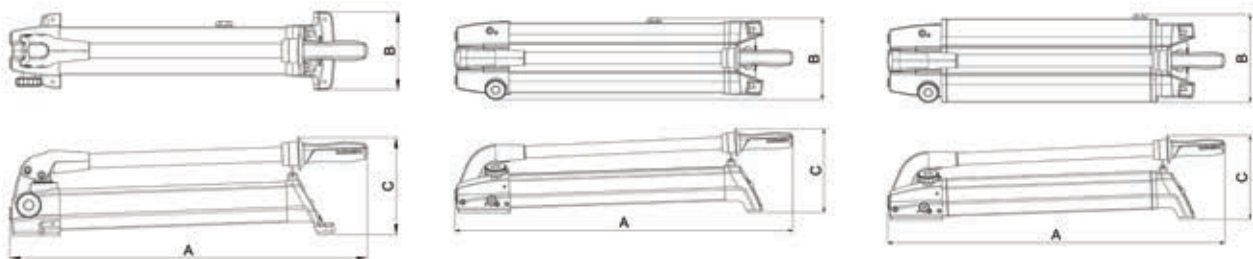


model		PA 04 H 2	PA 09 H 2	PA 18 H 2	PA 38 H 2	PA 58 H 2
art no		100.142.033	100.142.034	100.142.035	100.142.037	100.142.038
max. working pressure	bar/Mpa	720 / 72	720 / 72	720 / 72	720 / 72	720 / 72
capacity oil tank (effective)	cc	400	900	1800	3800	5800
capacity oil tank	cc	500	1000	1990	4150	6150
first stage output (per stroke)	cc	18.4	22	42.8	42.8	50.5
second stage output (per stroke)	cc	1.4	2.1	3.1	3.1	4
first stage pressure range	bar/Mpa	0-45 / 0-4.5	0-45 / 0-4.5	0-45 / 0-4.5	0-45 / 0-4.5	0-45 / 0-4.5
second stage pressure range	bar/Mpa	45-720 / 4.5-72	45-720 / 4.5-72	45-720 / 4.5-72	45-720 / 4.5-72	45-720 / 4.5-72
max. operating force	kg	32.0	33.0	35.0	35.0	34.0
connection		3/8" NPT female	3/8" NPT female	3/8" NPT female	3/8" NPT female	3/8" NPT female
operator type		hand	hand	hand	hand	hand
double acting optional		no	no	yes	yes	yes
weight, ready for use	kg	3.4	4.7	7.6	11.4	14.6

Hand pumps (dimensions)



model		PA 04 H 2	PA 09 H 2	PA 18 H 2	PA 38 H 2	PA 58 H 2
dimension A	mm	434	619	700	700	897
dimension B	mm	135	135	169	183	182
dimension C	mm	165	170	175	175	185





PA 18 F 2

Features & benefits



- Ergonomic design
 - Light weight; easy to carry and operate
 - Low operating force required; minimal user effort
 - Anti-slip rubber underneath; pump is stable and does not shift
 - Pump handle lock; easy and safe to carry
- Service- and maintenance-friendly; technical parts are easy to access and replace without removing the tank
- High oil output; quicker action both in the first and second stage
- Accurately adjustable pressure release valve; loads can be lowered safely and with extreme control
- Pressure gauge connection on the pump block; the pressure gauge can be directly mounted on the pump at an angle of 45 degrees, making it easily readable
- Oil level glass in the tank; easily check the oil level in both horizontal and vertical position
- Integrated filler funnel; top up oil easily and quickly without extra accessories
- Push & Unlock pump handle lock; unlocking is quick and easy with one brief push on the pump handle

Hydraulic hoses	page	53
Pressure gauge sets	page	58
Accessories hand pumps	page	59



Accurately adjustable pressure release valve; loads can be lowered safely and with extreme control



Pressure gauge connection on the pump block; the pressure gauge can be directly mounted on the pump at an angle of 45 degrees, making it easily readable

Foot pump

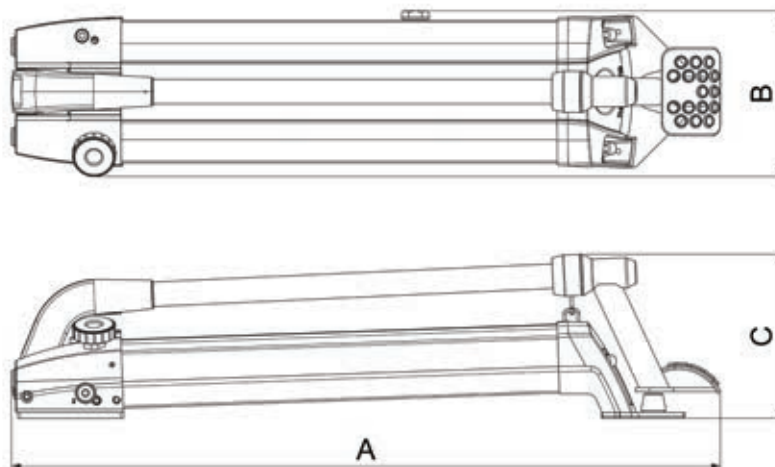


model	PA 18 F 2	
art no	100.142.036	
max. working pressure	bar/Mpa	720 / 72
capacity oil tank (effective)	cc	1800
capacity oil tank	cc	1990
first stage output (per stroke)	cc	42.8
second stage output (per stroke)	cc	3.1
first stage pressure range	bar/Mpa	0-45 / 0-4.5
second stage pressure range	bar/Mpa	45-720 / 4.5-72
max. operating force	kg	37.0
connection	3/8" NPT female	
operator type	foot	
double acting optional	yes	
weight, ready for use	kg	8.3

Foot pump (dimensions)



model	PA 18 F 2	
dimension A	mm	724
dimension B	mm	169
dimension C	mm	167





AHS 1400 FS

Features & benefits


- Usable at any place because of compact construction
- Lightweight
- Safe; when the air pressure is lost, the oil pressure is maintained
- Spark-free; suitable for explosive rooms
- Low-noise because of built-in silencer
- Energy-saving; stops as soon as the maximum pressure has been reached

Standard supplied with

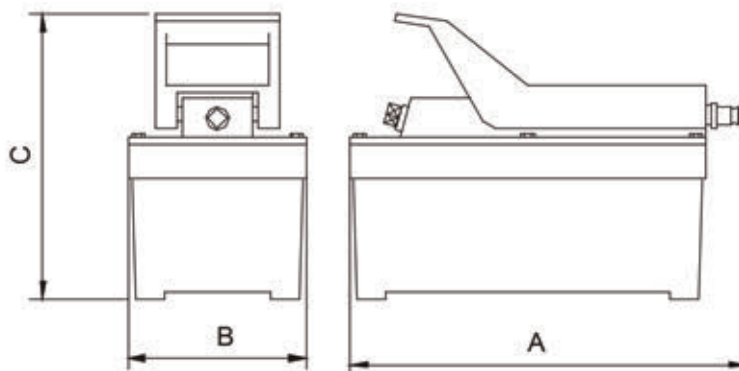

- Compressed air connector

 Hydraulic hoses
 Pressure gauges

page	53
page	56

Compact air pumps - Single-acting


model	AHS 1400 FS	
art no	100.602.001	
max. working pressure	bar/Mpa	720 / 72
output unloaded	cc/min	960
output loaded	cc/min	410
air consumption unloaded	l/min	700
air consumption loaded	l/min	580
capacity oil tank (effective)	cc	1400
max. air pressure	bar/Mpa	8.5 / 0.8
connection	3/8" NPT female	
operator type	air	
suitable for (tool type)	single acting	
weight, ready for use	kg	6.5
temperature range	°C	-20 + 55
dimensions (AxBxC)	mm	282 x 128 x 200





AHS 1400 D

Features & benefits


- Usable at any place because of compact construction
- Lightweight
- Spark-free; suitable for explosive rooms
- Low-noise because of built-in silencer
- Energy-saving; stops as soon as the maximum pressure has been reached
- Unsuitable for lifting applications, because the pump has no load holding valve

Standard supplied with

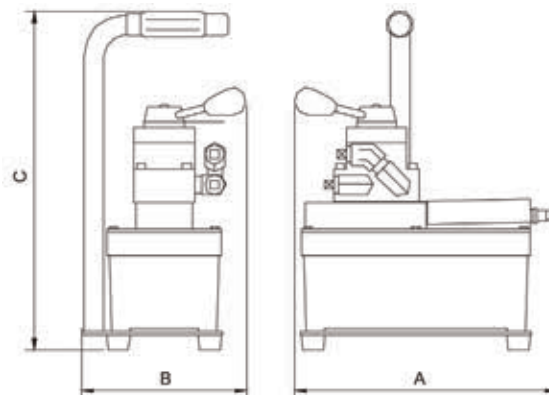

- Compressed air connector

Hydraulic hoses
 Pressure gauges

page 53
 page 56

Compact air pumps - Double-acting


model	AHS 1400 D	
art no	100.602.002	
max. working pressure	bar/Mpa	720 / 72
output unloaded	cc/min	960
output loaded	cc/min	410
air consumption unloaded	l/min	700
air consumption loaded	l/min	580
capacity oil tank (effective)	cc	1400
max. air pressure	bar/Mpa	8.5 / 0.8
connection	3/8" NPT female	
operator type	air	
suitable for (tool type)	double acting	
weight, ready for use	kg	9.6
temperature range	°C	-20 + 55
dimensions (AxBxC)	mm	315 x 180 x 372





EHW 1650 RC



With option 3 the pump is suitable for lifting applications

Features & benefits



- Usable at any place because of compact construction
- Lightweight
- For both horizontal and vertical use
- Perfectly suitable for cable cutters and nut crackers
- Suitable for single-acting tools and cylinders
- With option 3 the pump is suitable for lifting applications

Standard supplied with



- Waterproof (IP 54) Remote Control with 2.3 m long electric cord

Additional information

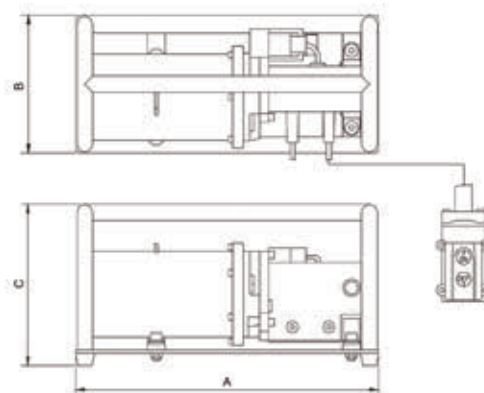


- Option 1: Needle valve for controlled oil return (art no 100.182.157)
- Option 2: Pressure gauge for reading the pressure (art no 100.182.158)
- Option 3: Needle valve and pressure gauge (art no 100.182.162)

Compact electric pump



model	EHW 1650 RC	
art no	100.551.001	
max. working pressure	bar/Mpa	720 / 72
first stage output / min.	cc	2000
second stage output / min.	cc	250
capacity oil tank (effective)	cc	1650
connection	3/8" NPT female	
engine	230 VAC - 0.35 kW - 50 Hz - 1 Ph	
charge remote control	V	15
weight, ready for use	kg	11.6
dimensions (AxBxC)	mm	416 x 190 x 222





H 1 SO

Features & benefits


- Anti-kink springs on both sides
- 4:1 safety ratio

Available on request


- Different lengths
- Other colour

Hydraulic hoses - Single hoses


model	H 1 SO	H 2 SO	H 3 SO	H 4 SO	H 5 SO	H 6 SO
art no	100.571.101	100.571.102	100.571.103	100.571.104	100.571.105	100.571.106
max. working pressure	bar/Mpa	720 / 72	720 / 72	720 / 72	720 / 72	720 / 72
color	orange	orange	orange	orange	orange	orange
hose connection A	3/8" NPT male	3/8" NPT male	3/8" NPT male	3/8" NPT male	3/8" NPT male	3/8" NPT male
hose connection B	3/8" NPT male	3/8" NPT male	3/8" NPT male	3/8" NPT male	3/8" NPT male	3/8" NPT male
length	m	1	2	3	4	5

Hydraulic hoses - Single hoses


model	H 8 SO	H 10 SO	H 15 SO	H 20 SO
art no	100.571.108	100.571.110	100.571.115	100.571.120
max. working pressure	bar/Mpa	720 / 72	720 / 72	720 / 72
color	orange	orange	orange	orange
hose connection A	3/8" NPT male	3/8" NPT male	3/8" NPT male	3/8" NPT male
hose connection B	3/8" NPT male	3/8" NPT male	3/8" NPT male	3/8" NPT male
length	m	8	10	15



H 1 SOU

Features & benefits


- Anti-kink springs on both sides
- 4:1 safety ratio

Available on request


- Different lengths
- Other colour

Hydraulic hoses - Standard hoses


model	H 1 SOU	H 2 SOU	H 3 SOU	H 4 SOU	H 5 SOU	H 6 SOU
art no	100.572.101	100.572.102	100.572.103	100.572.104	100.572.105	100.572.106
max. working pressure	bar/Mpa	720 / 72	720 / 72	720 / 72	720 / 72	720 / 72
color	orange	orange	orange	orange	orange	orange
hose connection A	3/8" NPT male	3/8" NPT male	3/8" NPT male	3/8" NPT male	3/8" NPT male	3/8" NPT male
hose connection B	A 119	A 119	A 119	A 119	A 119	A 119
length	m	1	2	3	4	5

Hydraulic hoses - Standard hoses


model	H 8 SOU	H 10 SOU	H 15 SOU	H 20 SOU
art no	100.572.108	100.572.110	100.572.115	100.572.120
max. working pressure	bar/Mpa	720 / 72	720 / 72	720 / 72
color	orange	orange	orange	orange
hose connection A	3/8" NPT male	3/8" NPT male	3/8" NPT male	3/8" NPT male
hose connection B	A 119	A 119	A 119	A 119
length	m	8	10	15



VL 1 SOU

Features & benefits ↓

- Anti-kink springs on both sides
- 4:1 safety ratio

Available on request ↓

- Different lengths
- Other colour

Hydraulic hoses - Extension hoses ↓

model	VL 1 SOU	VL 2 SOU	VL 5 SOU	VL 10 SOU	VL 15 SOU	VL 20 SOU
art no	100.572.301	100.572.302	100.572.305	100.572.310	100.572.315	100.572.320
max. working pressure	bar/Mpa	720 / 72	720 / 72	720 / 72	720 / 72	720 / 72
color	orange	orange	orange	orange	orange	orange
hose connection A	A 119	A 119	A 119	A 119	A 119	A 119
hose connection B	A 118	A 118	A 118	A 118	A 118	A 118
length	m	1	2	5	10	15

Pressure gauges - Scale division in bars



image	description	model	art no
	Universal pressure gauge <ul style="list-style-type: none"> • 0 - 720 bars • Pointer damped with glycerine • Stainless steel • Housing Ø 100 mm • Connection: ½" NPT male 	A 500	100.582.500
	Rubber protection cover <ul style="list-style-type: none"> • Suitable for Ø 100 mm pressure gauges 	-	350.581.160
	Pressure gauge <ul style="list-style-type: none"> • 0 - 720 bars • Pointer damped with glycerine • Stainless steel • Housing Ø 60 mm • Connection: ¼" NPT male 	A 150	100.581.036
	Rubber protection cover <ul style="list-style-type: none"> • Suitable for Ø 60 mm pressure gauges 	-	350.581.152
	Pressure gauge digital <ul style="list-style-type: none"> • 0 - 1000 Bars • Peak pressure memory • Connection: ¼" BSP male 	-	150.581.091



A 501

Features & benefits


- Pointer damped with glycerine
- Stainless steel
- Housing Ø 100 mm
- Connection: ½" NPT male



Pressure gauges - Scale division in tons


model	A 501	A 502	A 503	A 504	A 505	A 506
art no	100.582.501	100.582.502	100.582.503	100.582.504	100.582.505	100.582.506
1st scale range	t 5	25	52	105	210	509
2nd scale range	t 11	33	77	160	305	382
3rd scale range	t 21	51				
1st scale division per mark	kg 100.0	500.0	1000.0	2000.0	5000.0	10000.0
2nd scale division per mark	kg 200.0	500.0	1000.0	2000.0	5000.0	10000.0
3rd scale division per mark	kg 500.0	1000.0				
connection	½" NPT male	½" NPT male	½" NPT male	½" NPT male	½" NPT male	½" NPT male
material	stainless steel	stainless steel	stainless steel	stainless steel	stainless steel	stainless steel
housing diameter	mm 100	100	100	100	100	100

Pressure gauges - Scale division in tons


model	A 507	A 508	A 509	A 510
art no	100.582.507	100.582.508	100.582.509	100.582.510
1st scale range	t 6	30	63	12
2nd scale range	t 12	47	104	31
3rd scale range	t 23	63		63
4th scale range	t	113		98
1st scale division per mark	kg 100.0	500.0	1000.0	200.0
2nd scale division per mark	kg 200.0	1000.0	2000.0	500.0
3rd scale division per mark	kg 500.0	1000.0		2000.0
4th scale division per mark	kg	2000.0		2000.0
connection	½" NPT male	½" NPT male	½" NPT male	½" NPT male
material	stainless steel	stainless steel	stainless steel	stainless steel
housing diameter	mm 100	100	100	100

Pressure gauges - Pressure gauge adaptors



image	description	model	art no
	Pressure gauge connecting block for vari pumps <ul style="list-style-type: none"> • Suitable for single-acting control Valve M 311 • Provided with: 1 x 3/8" NPT female, 1 x 3/8" NPT male and 1/2" NPT female for pressure gauge • Pressure gauge can be placed in an angle of 45° using Elbow, art no 100.581.240 	A 108	100.181.108
	Pressure gauge connecting block for vari pumps <ul style="list-style-type: none"> • Suitable for double-acting control valves M 322, M 323, M 324 and M 325 • Supplies pressure to port A or B, dependent on which is highest • Provided with: 1 x 1/2" NPT female 	M 308	100.182.308

Pressure gauges - Pressure gauge sets


image	description	model	art no
	Pressure gauge set PA 04/09 pump <ul style="list-style-type: none"> • 0-720 bars • Pointer damped with glycerine • Stainless steel • Housing Ø 63 mm • Including rubber protection cover • Connection: 1/4" NPT male 	-	100.182.213
	Pressure gauge set PA *8 pumps <ul style="list-style-type: none"> • 0-720 bars • Pointer damped with glycerine • Stainless steel • Housing Ø 63 mm • Including rubber protection cover • Connection: 1/4" NPT male 	-	100.182.214
	Pressure gauge set PA pumps <ul style="list-style-type: none"> • 0-720 bars • Pointer damped with glycerine • Stainless steel • Housing Ø 100 mm • Including rubber protection cover • Connection: 1x 3/8" NPT female and 1x 3/8" NPT male 	-	100.182.215
	Pressure gauge set VM 43 L valve <ul style="list-style-type: none"> • 0-720 bars • Pointer damped with glycerine • Stainless steel • Housing Ø 63 mm • Including rubber protection cover • Connection: 1/4" NPT male 	-	100.182.216
	Plug-in type gauge set <ul style="list-style-type: none"> • 0-720 bars • Connection: couplers A 118 - A 119 	A 111 U	100.582.111

Accessories hand pumps - Control valves



image	description	model	art no
	Control valve <ul style="list-style-type: none"> • Suitable for double-acting tools • Handle stops in each position • With pressure controlled non-return valves for securing the load • 4-way, 3-position • Connection: 3/8" NPT female (2x) 	VM 43 L	100.182.175

Accessories hand pumps - Accessories



image	description	model	art no
	Foot plate set <ul style="list-style-type: none"> • Suitable for PA 09 pumps 	-	100.182.218
	Foot plate set <ul style="list-style-type: none"> • Suitable for PA 18/38 pumps 	-	100.182.217
	Foot plate set <ul style="list-style-type: none"> • Suitable for PA 18/38 pumps including VM 43 L valve 	-	100.182.219



Hydraulic spreaders





ISU 20 ST



Features & benefits ↓

- For destructive testing of the welding point of bodyworks or body parts
- Quick for an efficient (production) process
- Ergonomic; equipped with user-friendly rotating mechanism
- Safe
 - dead man's function
 - two-hand operation

Standard supplied with ↓

- Spreading tip 30 - 0 mm plug-in (2 pieces), art no 150.113.071

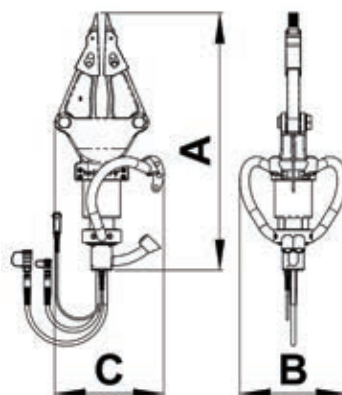
Available on request ↓

- Spreading tip 30 - 4 mm plug-in (2 pieces required), art no 170.182.002

Pump	page	63
Hoses	page	64
Accessories	page	65

Hydraulic spreader ↓

model	ISU 20 ST	
art no	170.102.005	
max. working pressure	bar/Mpa	500 / 50
spreading distance	mm	556
max. spreading force	kN/t	41.2 / 4.2
max. squeezing force	kN/t	28.7 / 2.9
required oil content (effective)	cc	144
weight, ready for use	kg	30.5
dimensions (AxBxC)	mm	856 x 358 x 365





IPU-S 09 S 25 E

Features & benefits ↓

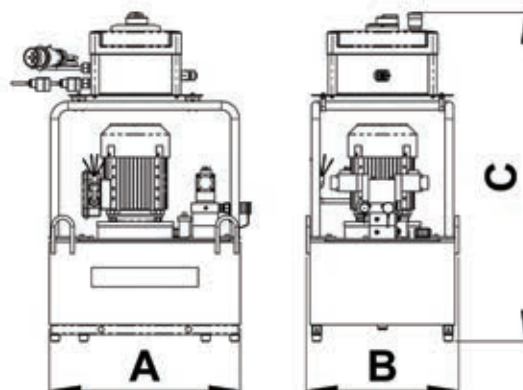
- 1-stage pump for controlled spreading operations
- Durable, low maintenance
- Safe
 - Protected against pressure drop by non-return valve in return port (prevents rebound when spreading)
 - In case of power failure, the system will become pressure less

Available on request ↓

- Other voltage / frequencies

Pump ↓

model		IPU-S 09 S 25 E
art no		170.152.032
max. working pressure	bar/Mpa	500 / 50
capacity oil tank (effective)	cc	25000
first stage output / min.	cc	900
operator type		electric motor
engine		400 VAC - 1.1 kW - 50 Hz - 3 Ph
weight, ready for use	kg	72.0
dimensions (AxBxC)	mm	500 x 400 x 864





IVL 5 SOU-EK

Features & benefits ↓

- Anti-kink springs on both sides
- 4:1 safety ratio

Standard supplied with ↓

- Couplers
- Protection sleeves for hoses and couplers
- 12V cable for electric button operation of cutter

Available on request ↓

- Different lengths
- Other colour

Hoses ↓

model	IVL 5 SOU-EK	IVL 10 SOU-EK	IVL 20 SOU-EK
art no	170.570.001	170.570.002	170.570.014
max. working pressure bar/Mpa	720 / 72	720 / 72	720 / 72
for cutter type	stationary	stationary	stationary
color	orange	orange	orange
hose connection A	A 239	A 239	A 239
hose connection B	A 240	A 240	A 240
length m	5	10	15

Accessories



image	description	model	art no
	Spreading tip 30 - 4 mm plug-in (2 pieces required).	30-4 mm	170.182.002
	Mobile suspension point for suspending tools such as a cutter or a foundry wedge. Max. weight capacity 125 kg.	HMP 3-125	100.003.180
	Balancer, 30 - 35 kg.	-	130.581.001





Service & safety







Holmatro Service Programme

A Total Solution

Applicable to all brands of hydraulic equipment is that malfunctions and defects will occasionally occur over time. Regular maintenance and correct usage are of great importance in ensuring that your equipment can continue to be employed optimally and safely during its entire operating life span.

Holmatro can help you here. As a manufacturer of hydraulic equipment we are the ideal service specialist in the field. We know, how important professional maintenance is; not only for optimal functioning of the equipment, but also for the safety of the people who use it.

This is why Holmatro offers a comprehensive service programme for the following hydraulic tools from 500 to 4,000 bar:

- Industrial tools (cylinders, pumps and system components)
- Hydraulic cutters and spreaders
- Additionally we also provide a service programme for hydraulic foundry tools.



The Holmatro service programme consists of the following services:

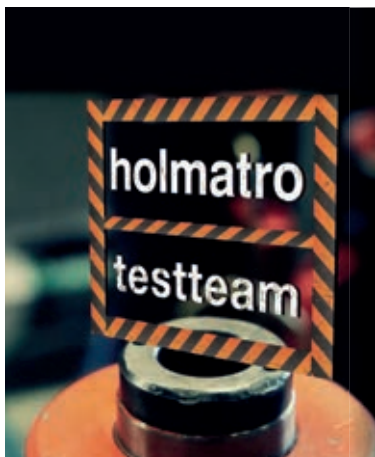
- Periodic maintenance
- Repairs
- Testing and certification
- Training and advice

SCC*
ISO 9001

BUREAU VERITAS
Certification



We will be happy to help you draw up a customized service solution.



Holmatro Testteam

At Holmatro we combine high pressure hydraulics with innovative design and material use. The result is powerful, lightweight tools. Hydraulics is a form of drive technology. Power and movement is transferred and controlled using pressurised oil.

The Holmatro Testteam gives an animated look at the possibilities and results of working with high pressure hydraulics. Let Holmatro's service engineers surprise you and watch the films on our website!

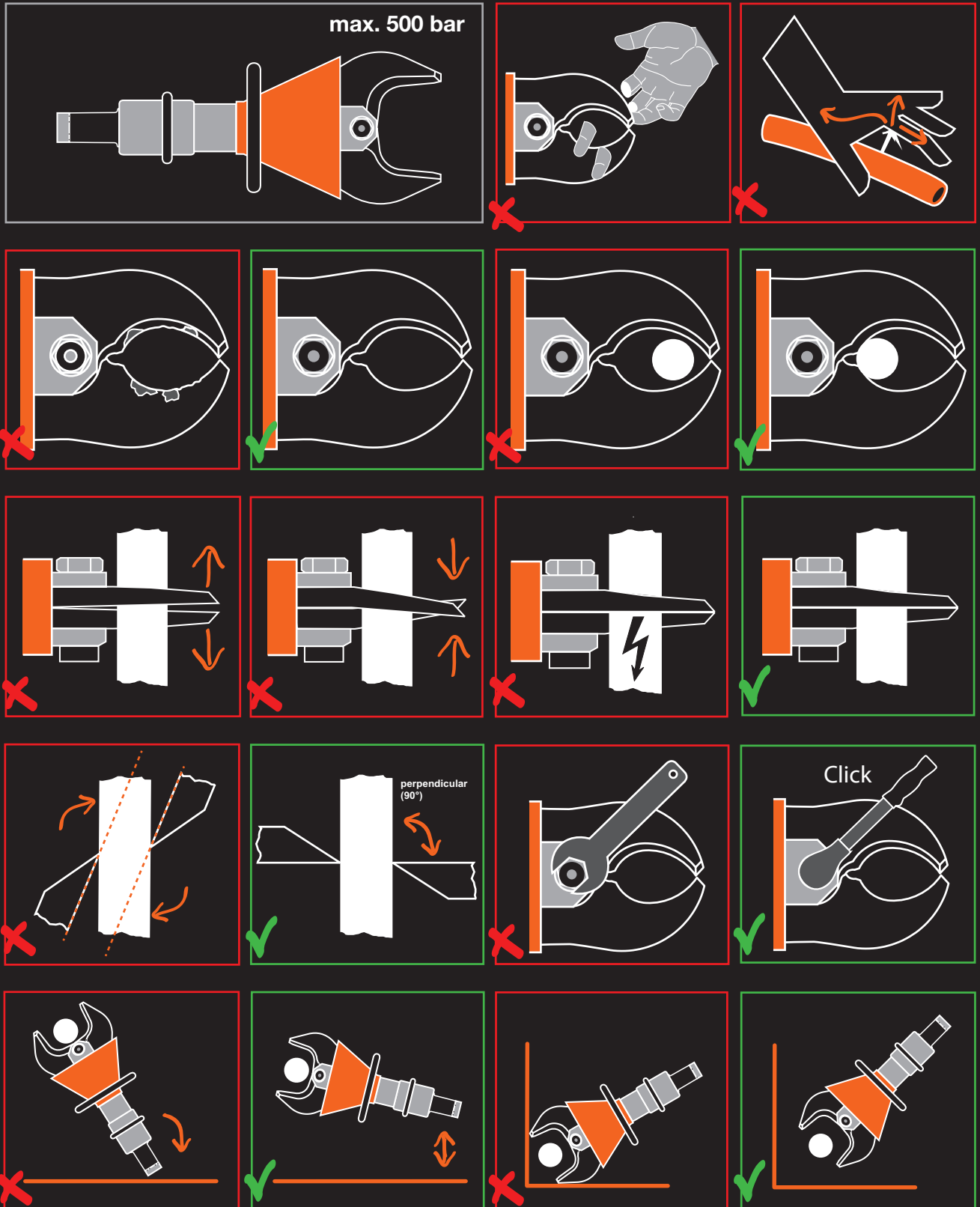


← Professional maintenance and periodic inspection is essential to guarantee the continued correct functioning of your tools.

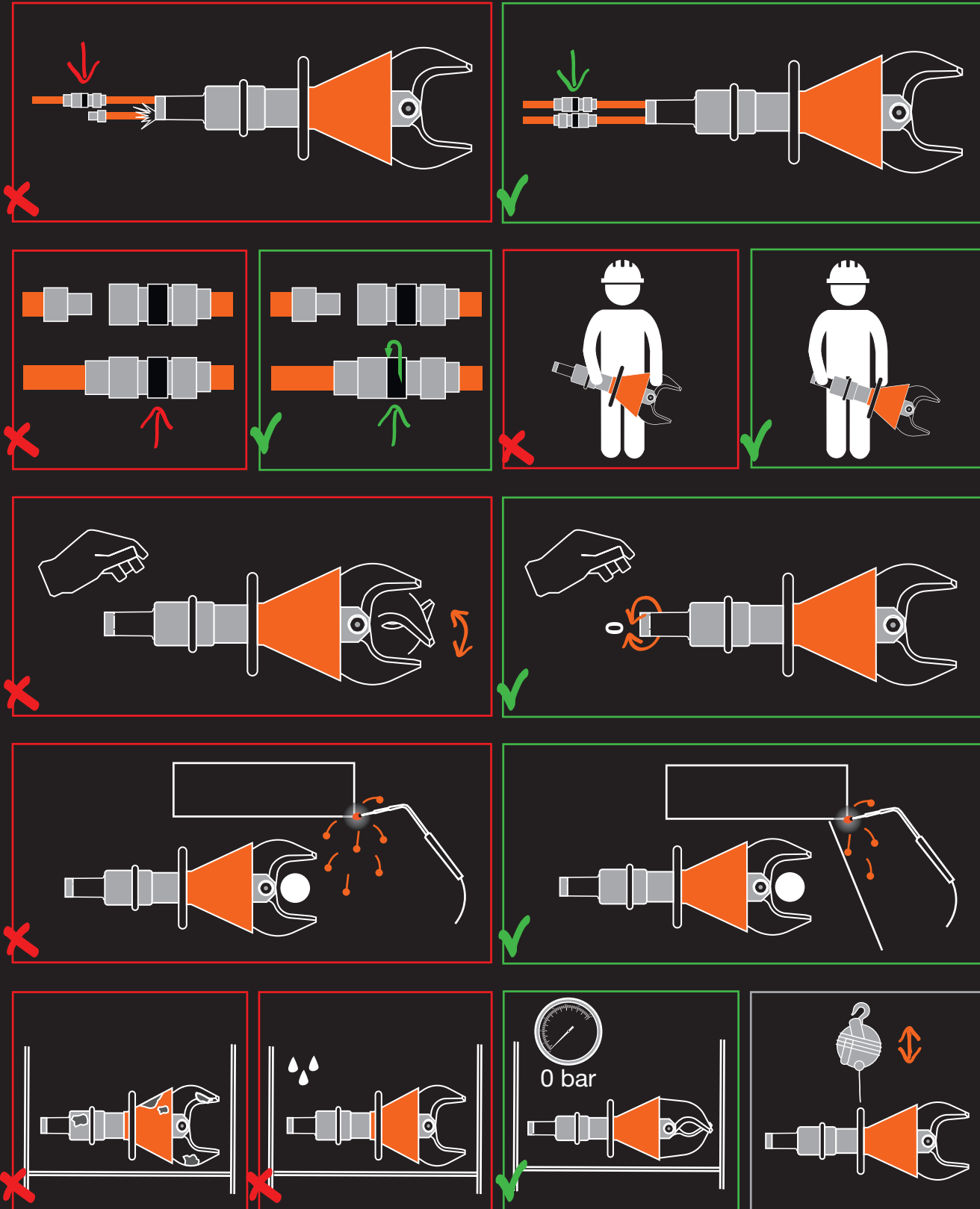
DO YOU FEEL THE PRESSURE TO WORK SAFE



Safety Guide | **Hydraulic cutters**



Safety Guide | **Hydraulic cutters**





Holmatro Netherlands

Raamsdonkveer, The Netherlands

T +31 (0) 162 75 15 00

E industry@holmatro.com

Holmatro USA

Glen Burnie, U.S.A.

T +1 410 768 9662

E industrial@holmatro-usa.com

Holmatro Poland

Warsaw, Poland

T +48 (22) 76 10 404

E info@holmatro.pl

Holmatro China

Suzhou, China

T +86 (512) 6380 7060

E china@holmatro.com

www.holmatro.com



Powered by Holmatro



Holmatro



Holmatro Industry



@ByHolmatro

©Holmatro
010218 980.000.398

Disclaimer

While the greatest care has been devoted to the content, it is possible that the information in this printed matter is incorrect or incomplete. Holmatro N.V. and its affiliated companies (hereafter: Holmatro) cannot be held liable in any way for the consequences of activities undertaken based on this printed matter. If you have any doubts about the correctness or completeness of the information, you shall contact Holmatro (phone number: +31 (0)162-751500). Nothing from this printed matter can be copied and/or made public in any way without the explicit authorisation of Holmatro.