



EDGE® Hydraulic Torque Wrench

For general maintenance that requires high torque values and repeatable results, the EDGE is a workhorse. The straightforward three-moving-part design was created by HYTORC over 30 years ago and has been consistently improved upon, resulting in the most tried and tested line of hydraulic torque wrenches in the world.

SIMPLE OPERATION AND MULTI-AXIS SWIVEL

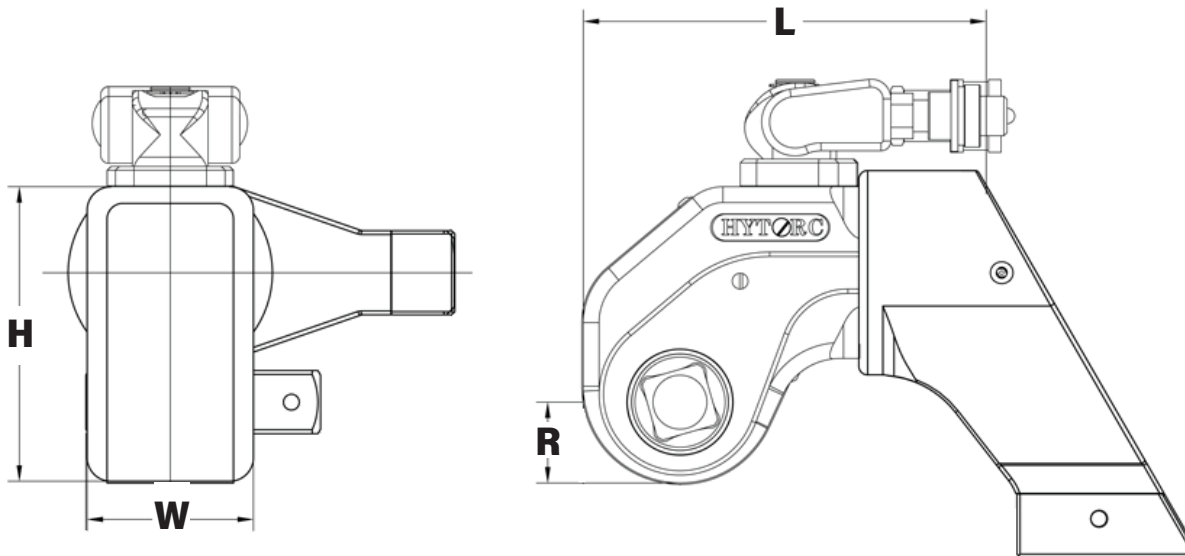


The three-moving part design of the EDGE reduces the number of potential repairs and keeps operating costs to a minimum. The multi-axis swivel is used on all HYTORC hydraulic torque wrenches (with the exception of the ICE) for maximum positioning, flexibility, and safety.

PUSH-THROUGH DRIVE



For quick and simple directional changes and maximum durability, the EDGE features a push-through square drive.



LEGEND: H = HEIGHT W = WIDTH L = LENGTH R = RADIUS

MODEL NUMBER	H	W	L	R	SQUARE DRIVE	WEIGHT	TORQUE	
IMPERIAL	in.					lbs.	ft-lbs (Min)	ft-lbs (Max)
EDGE - .5	2.95	1.64	4.01	0.82	3/4	3.30	106	710
EDGE - 2	3.53	1.97	4.94	0.97	3/4	4.05	178	1,257
EDGE - 4	4.71	2.63	6.40	1.31	1	8.50	443	3,079
EDGE - 6	6.04	3.18	7.61	1.57	1-1/2	19.20	893	6,241
EDGE - 8	6.58	3.57	8.69	1.86	1-1/2	20.05	1,230	8,555
EDGE - 12	7.07	3.95	9.60	1.96	1-1/2	25.00	1,615	11,291
EDGE - 30	10.10	5.64	13.71	2.79	2-1/2	64.70	4,448	29,650

METRIC	mm				in.	kg	Nm (Min)	Nm (Max)
EDGE - .5	75	42	102	21	3/4	1.50	144	962
EDGE - 2	90	50	125	25	3/4	1.84	241	1703
EDGE - 4	120	67	163	33	1	3.86	600	4172
EDGE - 6	153	81	193	40	1-1/2	8.73	1210	8457
EDGE - 8	167	91	221	47	1-1/2	9.11	1667	11592
EDGE - 12	180	100	244	50	1-1/2	11.36	2188	15299
EDGE - 30	257	143	348	71	2-1/2	29.41	6027	40176

The World's Most Trusted Industrial Bolting Systems

HYTORC owns all content, copyrights, trademarks and patents in this document. © 2020 HYTORC. Any unauthorized use or distribution of any material from this document is strictly prohibited.



Headquarters:
333 Route 17 N., Mahwah, NJ 07430
+1-201-512-9500

Email:
info@hytorc.com

Phone:
1-800-FOR-HYTORC

Online:
hytorc.com